

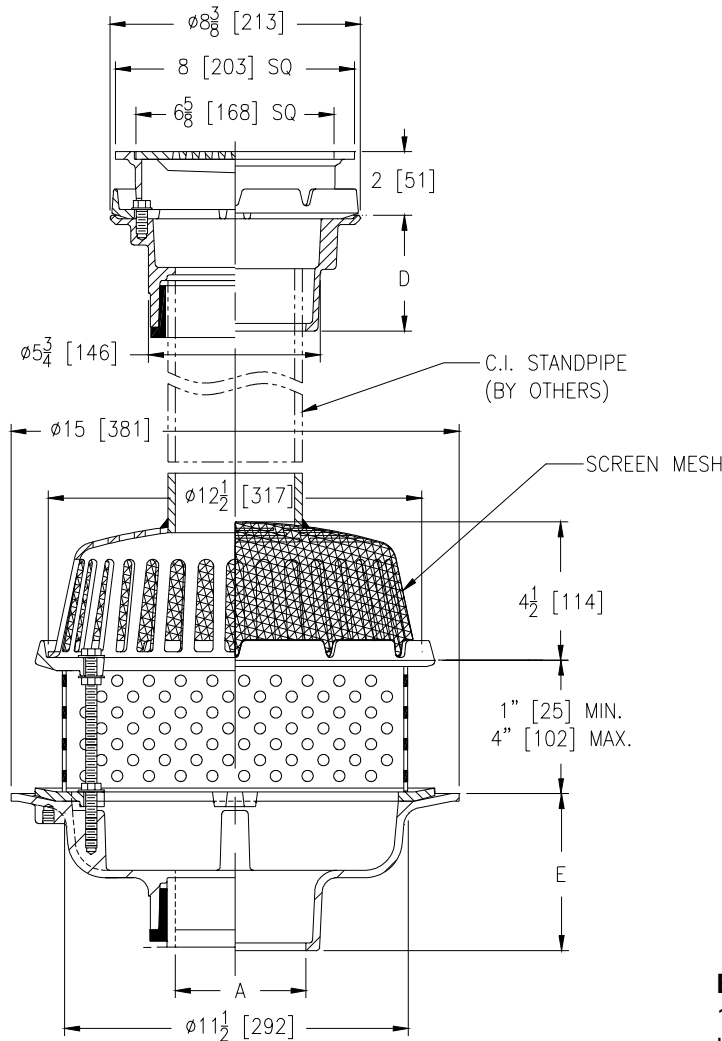


Z-100-149

TAG _____

**15 [381] DIAMETER ROOF DRAIN
WITH 8 [203] TOP PROM-DECK DRAIN**

Dimensional Data (inches and [mm]) are Subject to Manufacturing Tolerances and Change Without Notice



ENGINEERING SPECIFICATION: ZURN Z-100-149
15 [381] Diameter Roof Drain, Dura-Coated cast iron body, perforated extension, combination membrane flashing clamp/gravel guard, low silhouette cast iron dome with pipe coupling and stainless steel mesh screen. Upper body consists of a ZB-158 8 [203] Top Prom-Deck drain with Dura-Coated cast iron body, combination membrane flashing clamp/gravel guard and polished bronze promenade frame and heel-proof grate.

A- Pipe Size In.	Approx. Wt. Lbs. [kg]	Grate Open Area Sq. In. [cm ²]	Dome Open Area Sq. In. [cm ²]
2-3-4 [50-75-100]	49 [00]	11 [70]	103 [665]
5-6 [125-150]	50 [00]		
8 [200]	51 [00]		
10 [250]	53 [00]		

OPTIONS (Check/specify appropriate options)

OUTLET (Specify type)

- ___ **IC** Inside Caulk
- ___ **IG** Inside Caulk w/Sealtrol Gskt.
- ___ **IP** Threaded
- ___ **NH** No-Hub
- ___ **NL** Neo-Loc

PIPE SIZE (Specify size)

- ___ 2,3,4 [50,75,100]
- ___ 2,3,4 [50,75,100]
- ___ 2,3,4 [50,75,100]
- ___ 2,3,4 [50,75,100]
- ___ 2,3,4 [50,75,100]

'D' BODY HT. DIMENSION

- ___ 3 7/8 [98]
- ___ 3 7/8 [98]
- ___ 2 5/8 [67]
- ___ 3 7/8 [98]
- ___ 4 5/8 [117]

'E' BODY HT. DIMENSION

- ___ 5 1/4 [133]
- ___ 5 1/4 [133]
- ___ 3 3/4 [95]
- ___ 5 1/4 [133]
- ___ 4 5/8 [117]

PREFIXES

- ___ **ZC-** D.C.C.I. Body with Cast Iron Dome

REV.	DATE: 11/4/97	C.N. NO. 78892
DWG. NO. P-14570 PRODUCT NO. Z-100-149		

*REGULARLY FURNISHED UNLESS OTHERWISE SPECIFIED

ZURN INDUSTRIES, INC. ♦ SPECIFICATION DRAINAGE OPERATION ♦ 1801 Pittsburgh Ave. ♦ Erie, PA 16514

Phone: 814455-0921 ♦ Fax: 814454-7929 ♦ World Wide Web: www.zurn.com

In Canada: ZURN INDUSTRIES LIMITED ♦ 3544 Nashua Drive ♦ Mississauga, Ontario L4V1L2 ♦ Phone: 905405-8272 Fax: 905405-1292