



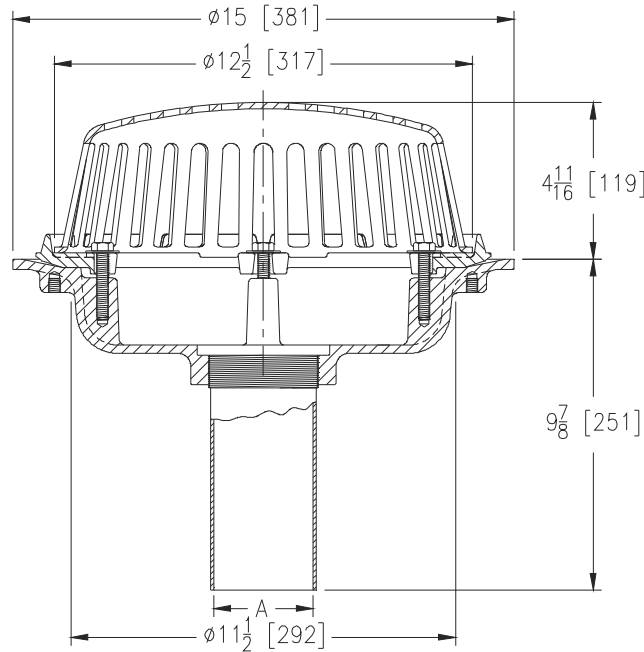
Z100-336

Ø15 [381] MAIN ROOF DRAIN LOW SIHOUETTE DOME
W/ Z1040-7 NO-HUB ADAPTER

SPECIFICATION SHEET

TAG _____

Dimensional Data (inches and [mm]) are Subject to Manufacturing Tolerances and Change Without Notice



A Pipe Size in [mm]	Approx. Wt. lbs [kg]	Dome Open Area in ² [c ²]
2,3,4 [51,76,102]	26 [12]	103 [665]
5,6 [127,152]	27 [12]	
8 [203]	28 [13]	

ENGINEERING SPECIFICATION: ZURNZ100-336

15 [381] Diameter roof drain. Dura-Coated cast iron body with combination membrane flashing clamp/gravel guard, low silhouette Poly-Dome, and Z1040-7 no-hub adapter.

OPTIONS (Check/specify appropriate options)

(Specify size/type) **OUTLET**

_____ NH No-Hub (w/ Z1040-7)

PIPE SIZE

2,3,4,5,6,8 [51,76,102,127,152,203]

PREFIXES

- _____ Z D.C.C.I. Body with Poly-Dome*
- _____ ZA D.C.C.I. Body with Aluminum Dome
- _____ ZC D.C.C.I. Body with Cast Iron Dome
- _____ ZRB D.C.C.I. Body with Plain Bronze Dome

SUFFIXES

- | | | | |
|-----------|--|-----------|---|
| _____ -AC | Angular Underdeck Clamp | _____ -FG | Flush Grate (Replaces Dome Strainer) |
| _____ -AR | Acid Resistant Epoxy Coated | _____ -G | Galvanized Cast Iron |
| _____ -AW | 3/4 [19] to 4 [102] Adj. Water Level Regulator
(Specify Height) (ZC Only) | _____ -GD | Galvanized Cast Iron Dome (ZC Only) |
| _____ -BS | Bronze Mesh Screen Over Dome | _____ -HD | 6 3/4 [171] High Aluminum Dome Strainer
(148 Sq. In. [955 cm ²] Open Area) (ZA Only) |
| _____ -C | Underdeck Clamp | _____ -R | Roof Sump Receiver |
| _____ -DE | Deck Extension | _____ -SC | Secondary Clamp Collar |
| _____ -DP | Top-Set® Deck Plate (Replaces both the -C and -R) | _____ -SS | Stainless Steel Mesh Screen Over Dome |
| _____ -DR | Top-Set® Drain Riser | _____ -ST | Dome with Solid Top (ZA, ZC & ZRB Only) |
| _____ -DX | Dex-o-tex Flange | _____ -VP | Vandal-Proof Secured Top |
| _____ -E | Static Extension 1 [25] thru 4 [102] (Specify Ht.) | _____ -W2 | 2 [51] Internal Water Dam |
| _____ -EA | Adjustable Extension Assembly
2 1/8 [54] thru 3 1/2 [89] | _____ -W3 | 3 [76] Internal Water Dam |
| _____ -EB | Top-Set® Adjustable Extension Assembly | _____ -W4 | 4 [102] Internal Water Dam |
| | | _____ -84 | Stainless Steel Perforated Gravel Guard |
| | | _____ -85 | Stainless Steel Perforated Extension |
| | | _____ -89 | 2 [51] High External Water Dam |

* Regularly furnished unless otherwise specified.

Zurn Industries, LLC | Specification Drainage Operation

1801 Pittsburgh Avenue, Erie, PA U.S.A. 16502 · Ph. 855-663-9876, Fax 814-454-7929

In Canada | Zurn Industries Limited

3544 Nashua Drive, Mississauga, Ontario L4V 1L2 · Ph. 905-405-8272, Fax 905-405-1292

www.zurn.com

Rev. -

Date: 9/15/2017

C.N. No. 137735

Prod. | Dwg. No. Z100-336