

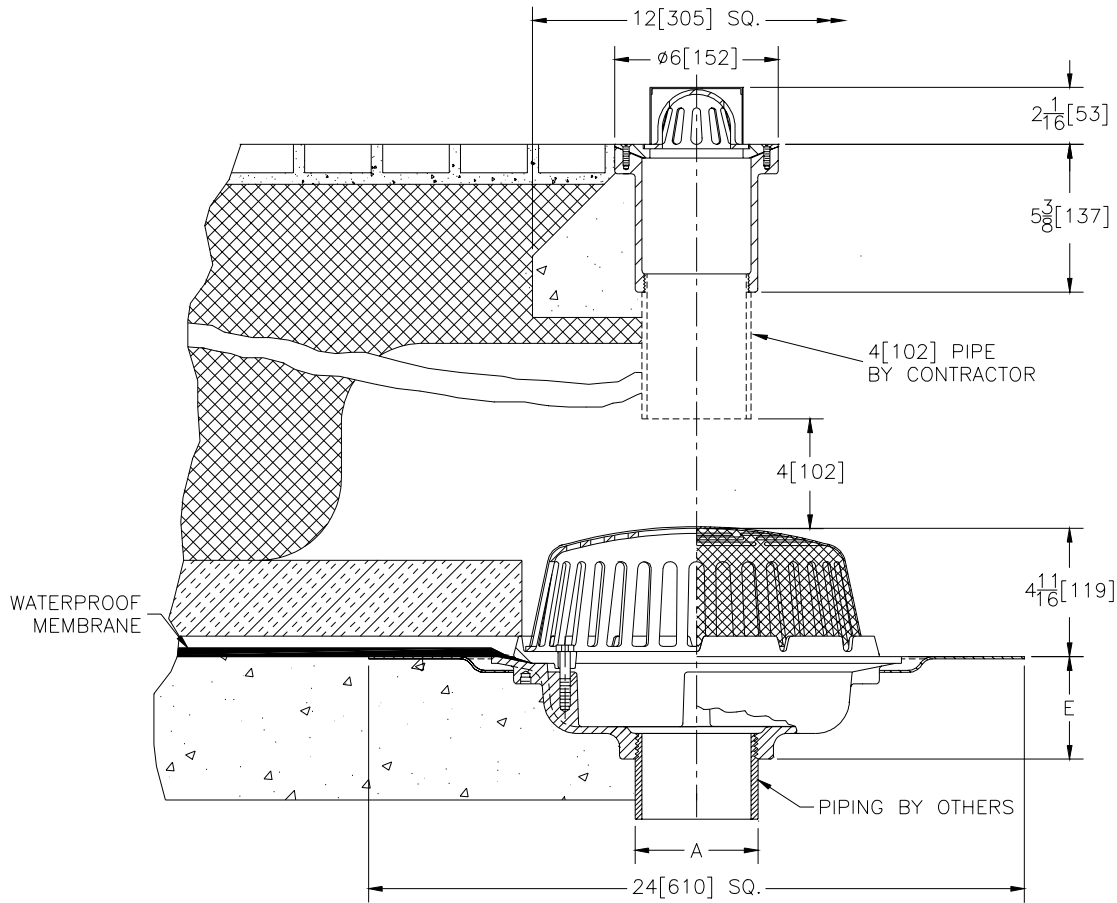


Z-100-130
15" [381] DIAMETER COMBINATION MAIN ROOF
DRAIN/SMALL AREA PLANTING DRAIN

SPECIFICATION SHEET

TAG _____

Dimensional Data (inches and [mm]) are Subject to Manufacturing Tolerances and Change Without Notice



A- Pipe Size In.	Approx. Wt. Lbs. [kg]	Top Dome Open Area Sq. In. [cm ²]
2-3-4 [50-75-100]	26 [12]	12 [77]
5-6 [125-150]	27 [12]	
8 [200]	28 [13]	
10 [250]	30 [14]	

ENGINEERING SPECIFICATION: ZURN Z-100-130 15 [381] Diameter roof drain. Dura-Coated cast iron body with combination membrane flashing clamp/gravel guard, low silhouette dome with stainless steel mesh screen over dome and roof sump receiver in combination with upper small area planting drain, Dura-Coated cast iron body with bottom outlet, plain bronze membrane flashing clamp and dome strainer w/stainless steel mesh screen over dome.

OPTIONS (Check/specify appropriate options)

PIPE SIZE

2 thru 6, 8, 10 [50 thru 150,200,250]

(Specify size/type) **OUTLET**

_____ IP Threaded

E BODY HT. DIM.

3 3/4 [95]

SUFFIXES

- _____ -AC Angular Underdeck Clamp
- _____ -AR Acid Resistant Epoxy Coated Finish
- _____ -BS Bronze Mesh Screen Over Dome
- _____ -C Underdeck Clamp
- _____ -G Galvanized Cast Iron
- _____ -GD Galvanized Cast Iron Dome
- _____ -VP Vandal Proof Secured Top
- _____ -XJ Vertical Expansion Joint (See Z-190)

REV. A DATE: 08/05/96 C.N. NO. 75426

DWG. NO. P-14318 PRODUCT NO. Z-100-130