



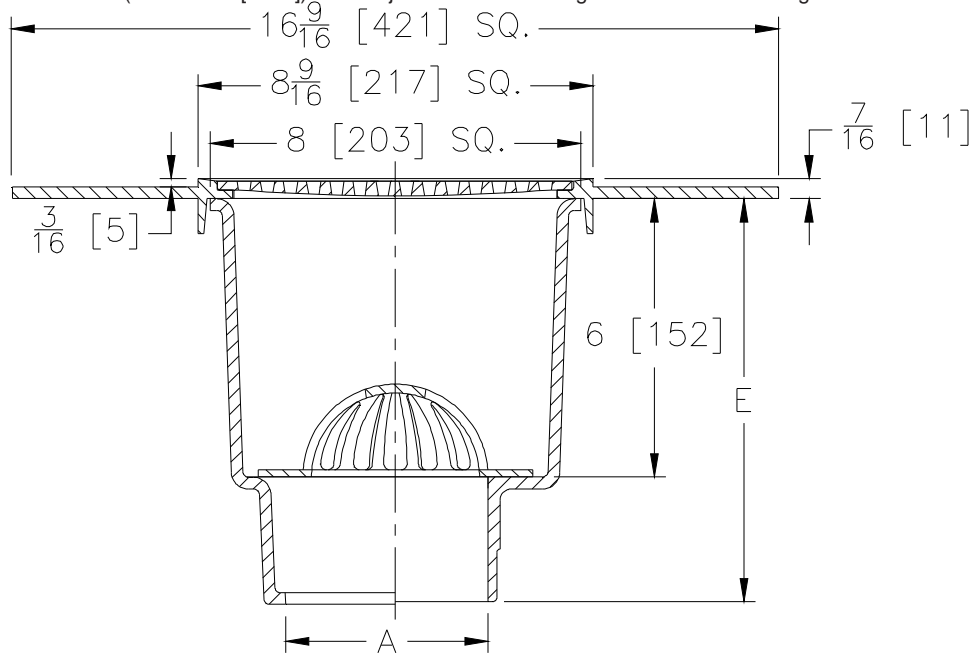
ZN1910-DX

8-9/16 X 8-9/16 [217 X 217] SANI-FLOR RECEPTOR 6 [152]
SUMP DEPTH W/ NICKEL BRONZE DEX-O-TEX FLANGE AND
GRATE

SPECIFICATION SHEET

TAG _____

Dimensional Data (inches and [mm]) are Subject to Manufacturing Tolerances and Change Without Notice



A Pipe Size In. [mm]	Approx Wt. Lbs. [kg]	Grate Open Area Sq. In. [cm ²]
2,3,4 [51,76,102]	25 [11]	19 [123]

ENGINEERING SPECIFICATION: ZURN ZN1910-DX

Sani-Flor Receptor 8" x 8" x 6" [203mm x 203mm x 152mm] deep cast iron body, with white acid resisting porcelain enamel interior, black ground enamel exterior coating, with 16-9/16" x 16-9/16" [421mm x 421mm] nickel bronze Dex-O-Tex flange and medium-duty grate, complete with white ABS anti-splash interior bottom dome strainer.

OPTIONS (Check/specify appropriate options)

PIPE SIZE

3,4 [76,102]
2,3,4 [51,76,102]
2,3,4 [51,76,102]

(Specify size/type) OUTLET

___ IC Inside Caulk
___ NH No-Hub
___ NL Neo-Loc

'E' BODY HT. DIMENSION

8-3/4 [222]
8-5/8 [219]
8 [203]

PREFIXES

___ ZN Cast Iron Body with White A.R.E. Interior and Nickel Bronze Dex-O-Tex Flange and Grate with 5/16 [8] Square Openings*

SUFFIXES

___ -K	Anchor Flange with Seepage Holes	___ -8	Grate w/ 8-7/8 x 3-5/8 x 3-3/4 [225 x 92 x 95]
___ -KC	Anchor Flange with Seepage Holes and Clamp Collar	___ -11	High Oval Funnel
___ -LD	Less Internal Bottom Dome Strainer	___ -15	Vandal-Proof Secured Grate
___ -P	1/2 [13] Threaded Trap Primer Connection (See Z1023)	___ -23	Solid Loose Set Cover
___ -TC	Neo-Loc Test Cap Gasket (2,3,4 [51,76,102] NL Bottom Outlet Only)	___ -25	Aluminum Bucket
___ -1	Less Grate	___ -31	White A.R.C. Bucket
___ -2	1/2 Grate	___ -32	Stainless Steel Mesh Liner for Bucket
___ -3	3/4 Grate	___ -33	Aluminum Dome Strainer
___ -4	Full Grate With Square Opening		White A.R.C. Anti-Splash Bottom Dome Strainer
___ -6	Grate w/ 6 [152] Dia. x 6 [152] High Funnel		

* Regularly furnished unless otherwise specified.

Zurn Industries, LLC | Specification Drainage Operation
1801 Pittsburgh Avenue, Erie, PA U.S.A. 16502 · Ph. 855-663-9876, Fax 814-454-7929
In Canada | Zurn Industries Limited
3544 Nashua Drive, Mississauga, Ontario L4V 1L2 · Ph. 905-405-8272, Fax 905-405-1292
www.zurn.com

Rev. C
Date: 10/12/17
C.N. No. 138777
Prod. | Dwg. No. ZN1910-DX