

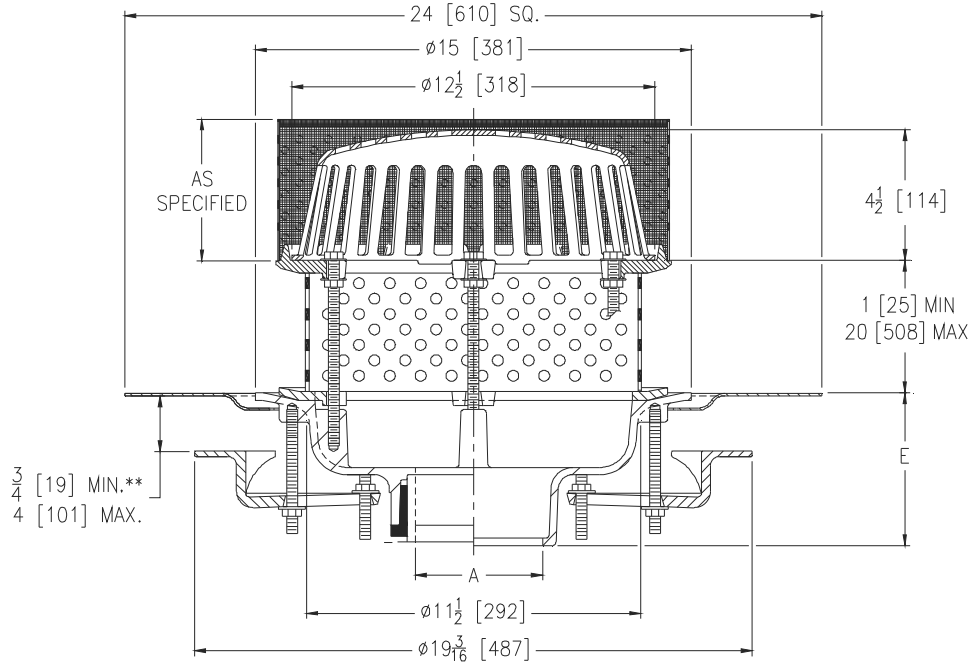


Z100-C-R-SS-84-85

SPECIFICATION SHEET

15 [381] DIAMETER MAIN ROOF DRAIN W/ UNDERDECK CLAMP, TAG _____
 SUMP RECEIVER, SS MESH SCREEN, SS PERFORATED
 GRAVEL GUARD, AND SS PERFORATED EXTENSION

Dimensional Data (inches and [mm]) are Subject to Manufacturing Tolerances and Change Without Notice



| A Pipe Size in [mm] | Approx Wt. lbs [kg] | Dome Open Area in ² [cm ²] |
|---------------------------|---------------------------|---|
| 2,3,4 [51,76,102] | 26 [12] | 103 [665] |
| 6 [152] | 27 [12] | |
| 8 [203] | 28 [13] | |

ENGINEERING SPECIFICATION: ZURN Z100-C-R-SS-84-85

15" [381mm] Diameter roof drain. Dura-Coated cast iron body with combination membrane flashing clamp/perforated gravel guard, roof sump receiver, underdeck clamp, secondary clamp collar, perforated extension and low silhouette Poly-Dome with stainless steel mesh screen over dome.

OPTIONS (Check/specify appropriate options)

PIPE SIZE

- 3,4,6 [76,102,152]
- 2,3,4,6,8 [51,76,102,152,203]
- 2,3,4,6,8 [51,76,102,152,203]
- 2,3,4 [51,76,102]
- 6 [152]

(Specify size/type) **OUTLET**

- _____ IC Inside Caulk
- _____ IP Threaded
- _____ NH No-Hub
- _____ NL Neo-Loc
- _____ NL Neo-Loc

E BODY HT. DIM.

- 5-1/4 [133]
- 3-3/4 [95]
- 5-1/4 [133]
- 4-5/8 [117]
- 5-7/16 [117]

PREFIXES

- _____ Z D.C.C.I. Body with Poly-Dome*
- _____ ZA D.C.C.I. Body with Aluminum Dome
- _____ ZC D.C.C.I. Body with Cast Iron Dome
- _____ ZRB D.C.C.I. Body with Plain Bronze Dome

SUFFIXES

- _____ -AR Acid Resistant Epoxy Coated
- _____ -E Static Extension 1" [25] thru 4" [102] (Specify Ht.)
- _____ -EA Adjustable Extension Assembly
2-1/8 [54] thru 3-1/2 [89]
- _____ -G Galvanized Cast Iron
- _____ -HD 6-3/4 [171] High Aluminum Dome
(148 sq. in. [955 cm²] open area)
- _____ -ST Dome w/ Solid Top (ZA and ZC Only)
- _____ -TC Neo-Loc Test Cap Gasket
(2,3,4 [51,76,102] NL Bottom Outlet Only)
- _____ -VP Vandal Proof Secured Top
- _____ -90 90° Threaded Side Outlet Body

* Regularly furnished unless otherwise specified.