



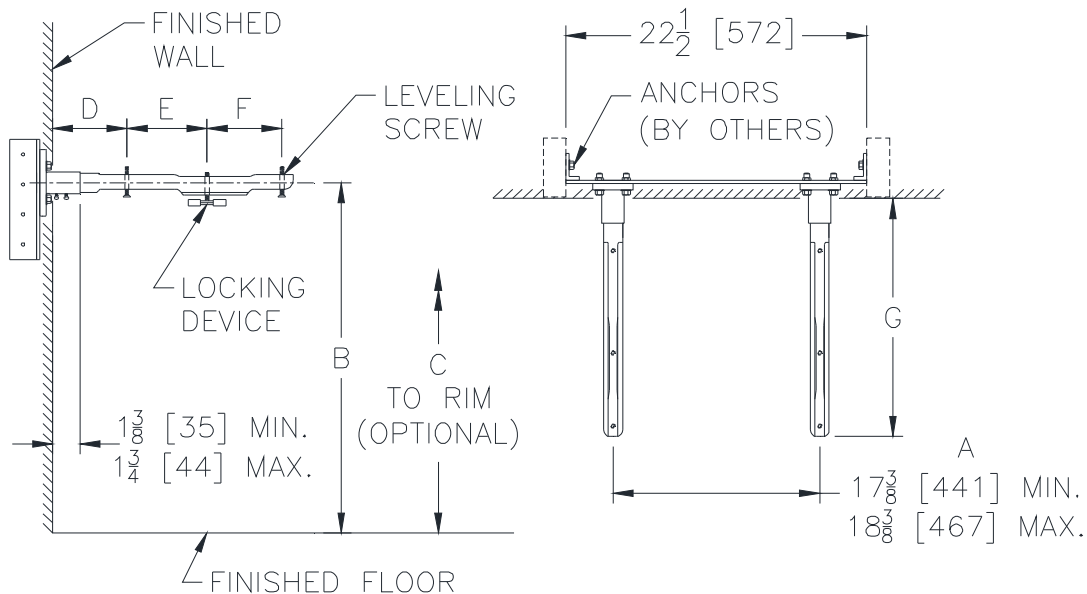
# Z1254-77

## CONCEALED ARM CARRIER SYSTEM FOR METAL STUD INSTALLATION

SPECIFICATION SHEET

TAG \_\_\_\_\_

Dimensional Data (inches and [ mm ]) are Subject to Manufacturing Tolerances and Change Without Notice



\*\* WITH STANDARD SLEEVE LENGTH OF  $3\frac{1}{4}$  [83]

Product No.	Approx. Wt. Lbs. [kg]
Z1254-77	22 [10]

### ENGINEERING SPECIFICATION: ZURN Z1254-77

Fixed lavatory support with concealed arms. Complete with adjustable Dura-Coated support plates with arm sleeves, concealed arms, and mounting fasteners.

Note: Dimensional data for letter dimensions depends upon fixture type and manufacturer. See Zurn Carrier/Fixture Rough-In information at [www.zurn.com](http://www.zurn.com) for specific rough-in dimensions

### OPTIONS (Check/specify appropriate options)

#### PREFIXES

\_\_\_ Z Dura-Coated System with Concealed Arms\*

#### SUFFIXES

- \_\_\_ -E2 Concealed Arm Escutcheons 2 [51] Long
- \_\_\_ -E4 Concealed Arm Escutcheons 4 [102] Long
- \_\_\_ -E6 Concealed Arm Escutcheons 6 [152] Long
- \_\_\_ -SL Sleeve Length Over 3-1/4 [83] (Specify Length)
- \_\_\_ -79 Paraplegic Rough-in

\* Regularly furnished unless otherwise specified.