

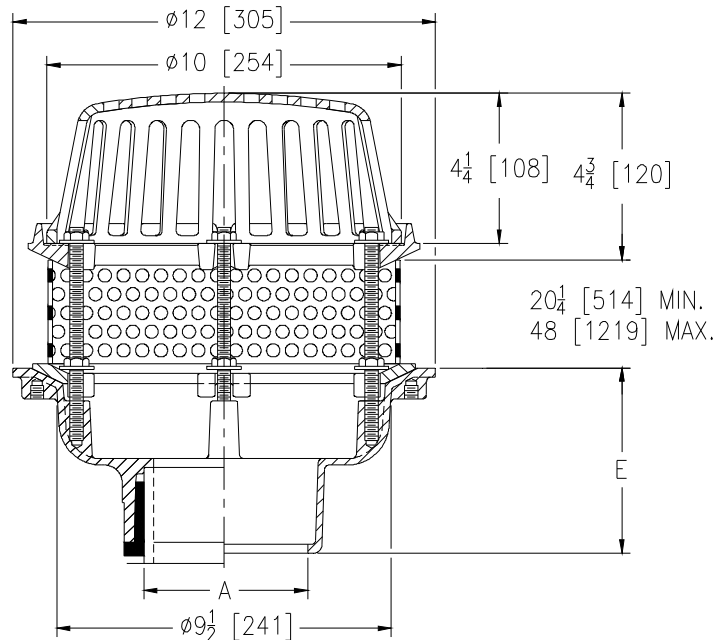


Z121-271

SPECIFICATION SHEET

12 [305] DIAMETER ROOF DRAIN W/ STAINLESS STEEL PERFORATED EXTENSION GREATER THAN 20 [514] TAG _____

Dimensional Data (inches and [mm]) are Subject to Manufacturing Tolerances and Change Without Notice



A- Pipe Size In.	Approx. Wt. Lbs. [kg]	Dome Open Area Sq. In. [cm ²]
2-3-4-6[51-76-102-152]	24 [11]	78 [503]

ENGINEERING SPECIFICATION: ZURN Z121-271 12 [305] Diameter roof drain. Dura-Coated cast iron body with combination membrane flashing clamp/gravel guard secondary clamping collar, stainless steel perforated extension and low silhouette Poly-Dome. Perforated extension shall be made of 14 ga. stainless steel.

OPTIONS (Check/specify appropriate options)

PIPE SIZE

(Specify size/type) **OUTLET**

E BODY HT. DIM.

2-3-4-6[51-76-102-152]	_____	IC	Inside Caulk	5-1/4 [133]
2-3-4-6[51-76-102-152]	_____	IP	Threaded	3-3/4 [95]
2-3-4-6[51-76-102-152]	_____	NH	No-Hub	5-1/4 [133]
2-3-4[51-76-102]	_____	NL	Neo-Loc	4-9/16 [116]

PREFIXES

___ Z	D.C.C.I. Body with Poly-Dome (4-1/4 [108] Dome Height)*
___ ZA	D.C.C.I. Body with Aluminum Dome (6-9/16 [167] Dome Height)
___ ZC	D.C.C.I. Body with Low Silhouette Cast Iron Dome (4-1/4 [108] Dome Height)
___ ZRB	D.C.C.I. Body with Plain Bronze Dome (3-7/8 [98] Dome Height)

SUFFIXES

___ -AR	Acid Resistant Epoxy Coated Finish	___ -G	Galvanized Cast Iron
___ -BS	Bronze Mesh Screen Over Dome	___ -R	Roof Sump Receiver
___ -C	Underdeck Clamp	___ -SS	Stainless Mesh Screen Over Dome
___ -DB	Deep Sump Body (IC Only)	___ -TC	Neo-Loc Test Cap Gasket (2-4 [51-102] NL Bottom Outlet Only)
___ -DP	Top Set® Roof Deck Plate (Replaces both the -C and -R)	___ -VP	Vandal-Proof Secured Top
___ -DR	Adjustable Drain Riser Extension Assembly Adjustable from 3-5/8 [92] to 7-1/4 [184]	___ -XJ	Vertical Expansion Joint (See Z190)
___ -E	Static Extension 1 [25] thru 4 [102] (Specify Ht.)	___ -84	Stainless Steel Perforated Gravel Guard
___ -EB	Top-Set® Adjustable Extension Assembly	___ -89	2 [51] High External Water Dam
___ -FG	Flush Grate (Replaces Dome Strainer)	___ -90	90° Threaded Side Outlet Body (2-4 [51-102] Only)

* Regularly furnished unless otherwise specified.