



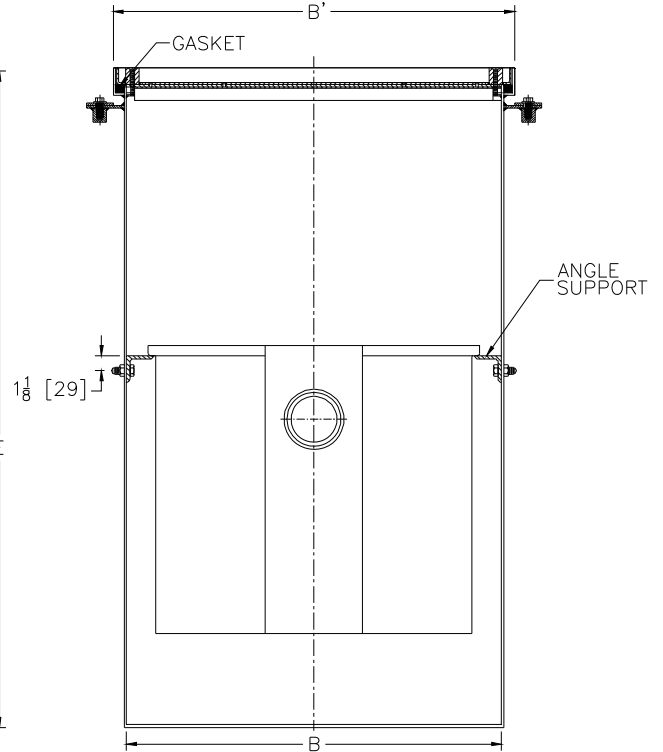
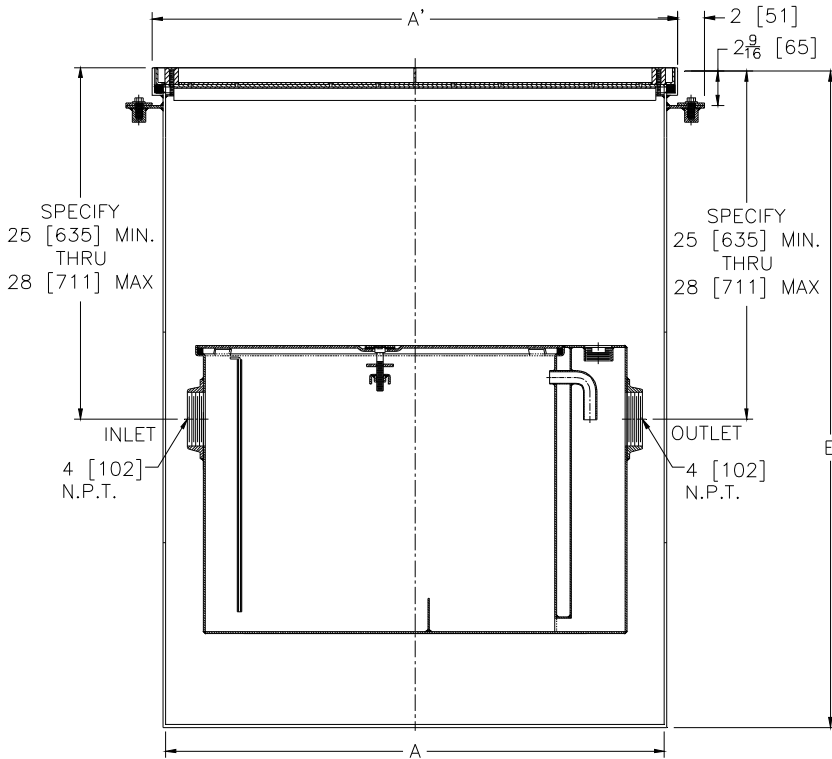
Z1170-150

GREASE INTERCEPTOR W/ EXTENDED ADJUSTABLE EN-
CLOSED RECESSING RECEIVER W/ ANCHOR FLANGE, CLAMP TAG
COLLAR & COVER RECESSED FOR 3/4 [19] TILE/TERRAZZO

SPECIFICATION SHEET

TAG _____

Dimensional Data (inches and [mm]) are Subject to Manufacturing Tolerances and Change Without Notice



Size	Dimensions In Inches [mm]				
	A	A'	B	B'	E
800	37-1/4 [946]	39-1/4 [997]	28 [711]	30 [762]	49 [1245]

ENGINEERING SPECIFICATION: ZURN Z1170-150

Acid Resistant Epoxy Coated Recessing receiver, enclosed type, equipped with integral extension, anchor flange with clamp collar, adjustable support brackets and gasketed non-skid recessed cover for Tile/Terrazzo with removable T-Handles. Complete with #800 Z1170 Grease Interceptor. For interceptor specifications see Z1170 specification sheet.

PREFIXES

- ___ Z Acid Resistant Coated Fabricated Steel*
- ___ ZS All Type 304 Fabricated Stainless Steel

* Regularly furnished unless otherwise specified.

Zurn Industries, LLC | Specification Drainage Operation
1801 Pittsburgh Avenue, Erie, PA U.S.A. 16502 · Ph. 855-663-9876, Fax 814-454-7929
In Canada | Zurn Industries Limited
3544 Nashua Drive, Mississauga, Ontario L4V 1L2 · Ph. 905-405-8272, Fax 905-405-1292
www.zurn.com

Rev. -
Date: 04/25/14
C.N. No. 130880
Prod. | Dwg. No. Z1170-150