



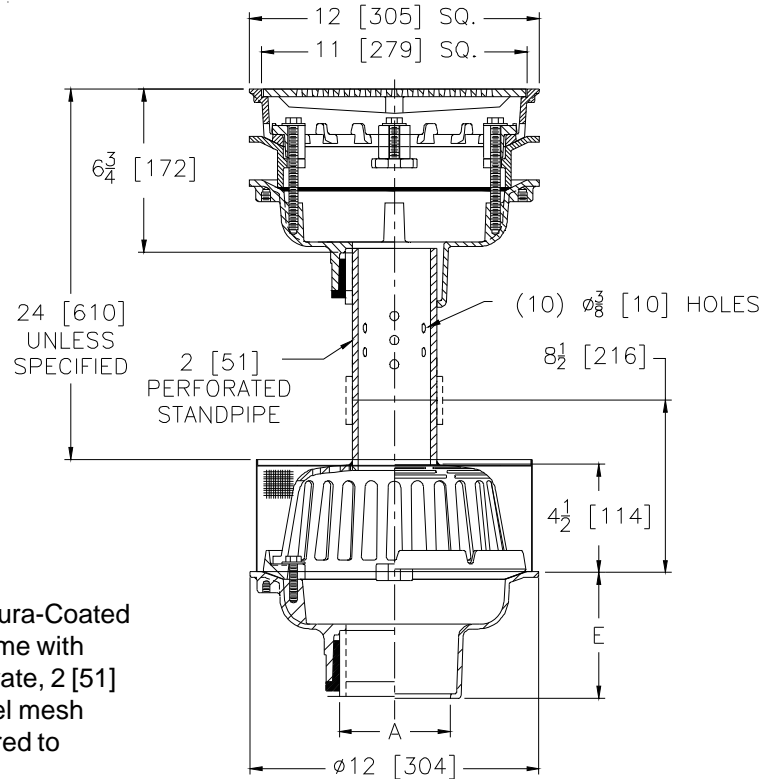
# Z154-99

12 [305] SQUARE TOP PROM-DECK DRAIN W/HEEL-PROOF GRATE, ROTATABLE FRAME & Z121 LOWER BODY WITH PERFORATED CONNECTING STANDPIPE

SPECIFICATION SHEET

TAG \_\_\_\_\_

Dimensional Data (inches and [ mm ]) are Subject to Manufacturing Tolerances and Change Without Notice



A- Pipe Size In.	Approx. Wt. Lbs. [kg]	Grate Open Area Sq. In. [cm <sup>2</sup> ]
2 thru 6 [51 thru 152]	51 [23]	34 [219]

### ENGINEERING SPECIFICATION: ZURN Z154-99

Upper body. 12 [305] Square Top Prom-Deck drain with Dura-Coated cast iron body, rotatable light duty square promenade frame with seepage openings, frame clamps, light duty heel-proof grate, 2 [51] static extension, and Z121 lower body with stainless steel mesh screen over-dome. Upper & lower body assemblies secured to perforated bronze standpipe.

### PIPE SIZE (Lower Body)

- 2 thru 6 [51 thru 152]
- 2 thru 6 [51 thru 152]
- 2 thru 6 [51 thru 152]
- 2-3-4 [51-76-102]

(Specify size/type) **OUTLET**

- \_\_\_\_\_ IC Inside Caulk
- \_\_\_\_\_ IP Threaded
- \_\_\_\_\_ NH No-Hub
- \_\_\_\_\_ NL Neo-Loc

### E BODY HT. DIM.

- 5-1/4 [133]
- 3-3/4 [95]
- 5-1/4 [133]
- 4-5/8 [117]

### OPTIONS (Check/specify appropriate options)

#### PREFIXES (Upper Body)

- \_\_\_\_\_ Z D.C.C.I. Body w/ Top\*
- \_\_\_\_\_ ZB D.C.C.I. Body w/ Polished Bronze Top (Add 3/16 [5] to 6-3/4 [172] Dim & 5/8 [16] to 12 [305] Dim.)
- \_\_\_\_\_ ZN D.C.C.I. Body w/ Polished Nickel Bronze Top (Add 3/16 [5] to 6-3/4 [172] Dim & 5/8 [16] to 12 [305] Dim.)

#### SUFFIXES (Upper Body)

- \_\_\_\_\_ -AR Acid Resistant Epoxy Coated
- \_\_\_\_\_ -C Underdeck Clamp
- \_\_\_\_\_ -DG Duresist Grate (Z Only)
- \_\_\_\_\_ -DT Decorative Polished Top (ZB and ZN Only)
- \_\_\_\_\_ -E 2 [51] High Static Extension
- \_\_\_\_\_ -G Galvanized Cast Iron
- \_\_\_\_\_ -S Secondary Strainer
- \_\_\_\_\_ -SC Secondary Clamp Collar
- \_\_\_\_\_ -TC Neo-Loc Test Cap Gasket (2 [51] - 4 [102] NL Bottom Outlet Only)
- \_\_\_\_\_ -TS Top Secured with Slotted Screws
- \_\_\_\_\_ -Y Sediment Bucket

#### SUFFIXES (Lower Body)

- \_\_\_\_\_ -AR Acid Resistant Epoxy Coated Finish
- \_\_\_\_\_ -C Underdeck Clamp
- \_\_\_\_\_ -DB Deep Sump Body (IC Only)
- \_\_\_\_\_ -DP Top-Set® Roof Deck Plate (Replaces both the -C and -R)
- \_\_\_\_\_ -DR Top-Set® Drain Riser (Adjustment from 3-5/8 [92] to 7-1/4 [184])
- \_\_\_\_\_ -EB Top-Set® Adjustable Extension Assembly
- \_\_\_\_\_ -G Galvanized Cast Iron
- \_\_\_\_\_ -R Roof Sump Receiver
- \_\_\_\_\_ -XJ Vertical Expansion Joint (See Z190)
- \_\_\_\_\_ -90 90° Threaded Side Outlet Body (2-4 [51-102]) (Previously Z124)

\* Regularly furnished unless otherwise specified.