



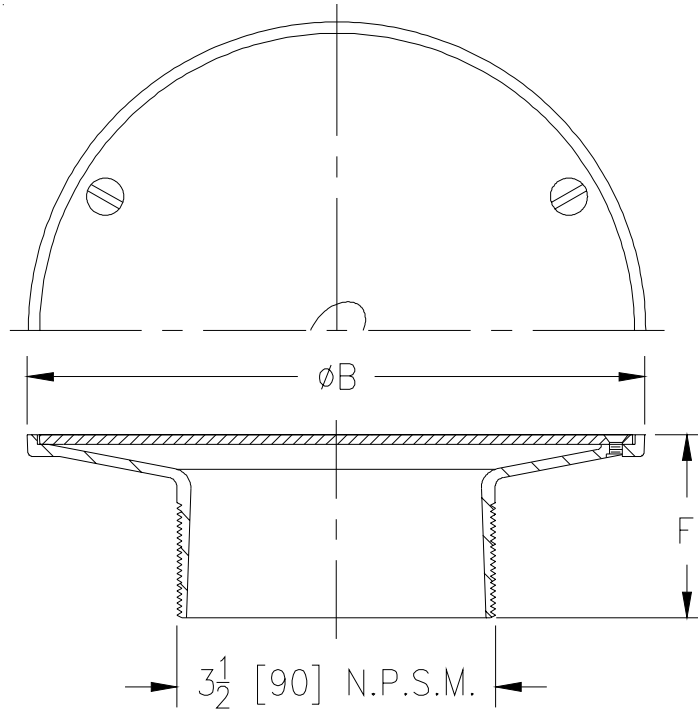
Z400B-SC

ROUND "TYPE B" STRAINER W/ SOLID COVER

SPECIFICATION SHEET

TAG _____

Dimensional Data (inches and [mm]) are Subject to Manufacturing Tolerances and Change Without Notice



Strainer Designation	Dimension in Inches		Approx. Wt. Lbs. [kg]
	Size B	Height F	
-5B	5 [127]	2 [51]	2 [1]
-6B	6 [152]	2 1/4 [57]	3 [1]
-7B	7 [178]	2 5/8 [67]	4 [2]
-8B	8 [203]	2 5/8 [67]	5 [2]
-10B	10 [254]	3 [76]	13 [6]

ENGINEERING SPECIFICATION: ZURN Z()400B-SC "TYPE B" round adjustable light duty strainer top with solid secured cover. (Specify ZB or ZN finish.)

OPTIONS (Check/specify appropriate options)

PREFIXES

- ___ ZB Polished Bronze Top
- ___ ZN Polished Nickel Bronze Top

SUFFIXES

- ___ -CP Chrome Plated Bronze Top
- ___ -SG Solid Gasketed Cover
- ___ -V Backwater Valve
- ___ -VP Vandal-Proof Secured Top
- ___ -Y Sediment Bucket

REV. A DATE: 10/15/03 C.N. NO. 91355
DWG. NO. 62025 PRODUCT NO. Z400B-SC