



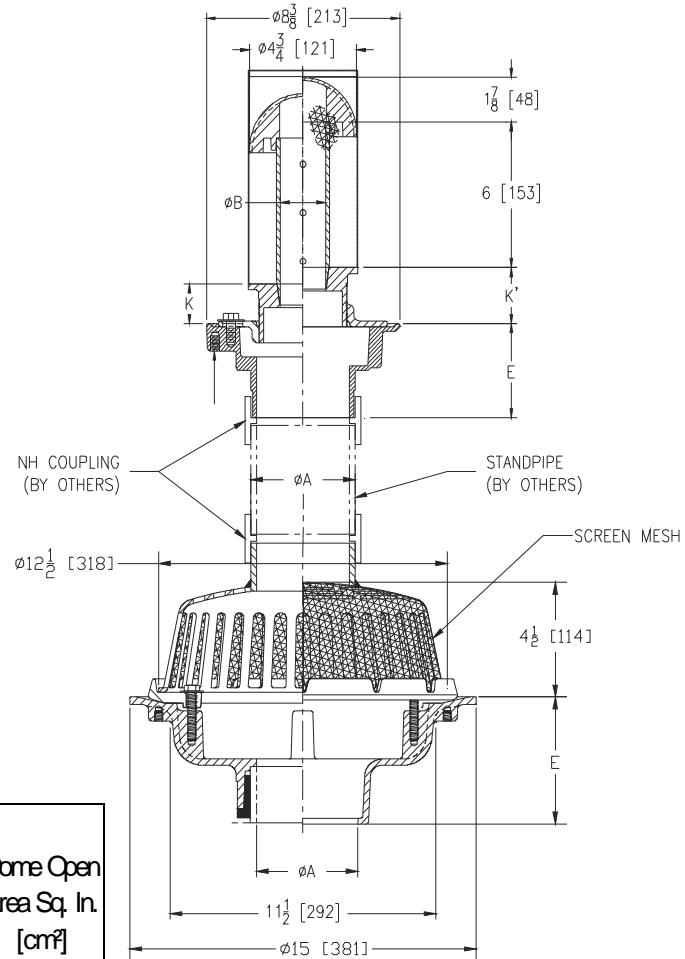
# Z100-266

## 15 [381] DIAMETER ROOF DRAIN W/ Z415 "TYPE P" UPPER DRAIN

SPECIFICATION SHEET

TAG \_\_\_\_\_

Dimensional Data (inches and [mm]) are Subject to Manufacturing Tolerances and Change Without Notice



### ENGINEERING SPECIFICATION: ZURN Z100-266

15 [381] Diameter Roof Drain, Dura-Coated cast iron body, combination membrane flashing clamp/gravel guard, low silhouette cast iron dome with pipe coupling and stainless steel mesh screen. Complete with upper Dura-Coated cast iron body with bottom outlet, combination invertible membrane clamp & adjustable collar with seepage holes, and "Type P" polished, nickel bronze perforated standpipe and dome covered by stainless steel mesh screen.

Dimensions In Inches						Approx. Wt. Lbs. [kg.]	Dome Open Area Sq. In. [cm <sup>2</sup> ]
A Pipe Size	B	K		K'			
Nb-Hub		Min.	Max.	Min.	Max.		
2 [51]	3 [76]	7/8 [22]	2-1/8 [54]	1-1/4 [32]	2-7/8 [73]	35 [16]	103 [665]
3 [76]	3 [76]	7/8 [22]	2-1/8 [54]	1-1/4 [32]	2-7/8 [73]	36 [16]	
4 [102]	3 [76]	7/8 [22]	2-1/8 [54]	1-1/4 [32]	2-7/8 [73]	38 [17]	

**OPTIONS** (Check/specify appropriate options)

**PREFIXES**

- \_\_\_\_\_ ZB D.C.C.I. Body Assembly w/ Polished Bronze Light-Duty Top (Deduct 1/2 [13] from 'Y' Dim.)
- \_\_\_\_\_ ZN D.C.C.I. Body Assembly w/ Polished Nickel Bronze Light-Duty Top (Deduct 1/2 [13] from 'Y' Dim.)

**PIPE SIZE** (Specify size/type for Bottom Drain Only)

- 2 thru 4 [51 thru 102]
- 2 thru 4 [51 thru 102]
- 2 thru 4 [51 thru 102]
- 2,3,4 [51,76,102]

**OUTLET TYPE**

- \_\_\_\_\_ IC Inside Caulk
- \_\_\_\_\_ P Threaded
- \_\_\_\_\_ NH No-Hub
- \_\_\_\_\_ NL Neo-Loc

**E BODY HT. DIM.**

- 5-1/4 [133]
- 3-3/4 [95]
- 5-1/4 [133]
- 4-9/16 [116]

**SUFFIXES**

- \_\_\_\_\_ -AC Angular Underdeck Clamp\*\*
- \_\_\_\_\_ -AR Acid Resisting Epoxy Coated Cast Iron
- \_\_\_\_\_ -C Underdeck Clamp\*\*
- \_\_\_\_\_ -DE Deck Extension\*\*
- \_\_\_\_\_ -DP Top-Set® Deck Plate (Replaces both the -C and -R)\*\*
- \_\_\_\_\_ -E Static Extension 1 [25] thru 4 [102] (Specify Ht.)\*\*
- \_\_\_\_\_ -EA Adjustable Extension Assembly\*\*
- \_\_\_\_\_ -EB Top-Set® Adjustable Extension Assembly\*\*
- \_\_\_\_\_ -G Galvanized Cast Iron
- \_\_\_\_\_ -R Roof Sump Receiver\*\*
- \_\_\_\_\_ -SD Longer Standpipe (Specified Height Required for Upper Drain only)
- \_\_\_\_\_ -85 Stainless Steel Perforated Extension\*\*
- \_\_\_\_\_ -90 90° Threaded Side Outlet Body\*\* (2 [51] thru 6 [152])

\*\* Options only available on the Lower Body

\*REGULARLY FURNISHED UNLESS OTHERWISE SPECIFIED

REV.      DATE: 05/24/13      C.N. NO. 129402

PROD./DWG. NO. Z100-266