



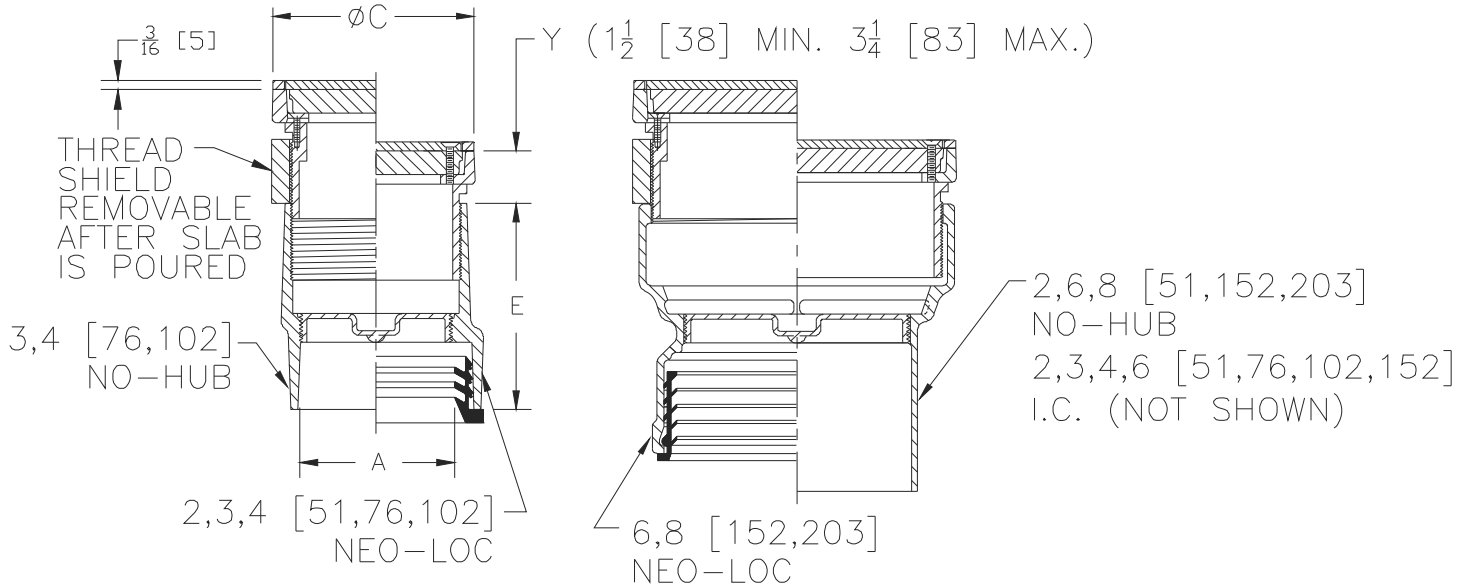
# ZS1400

## EXTRA HEAVY-DUTY "LEVEL-TROL" ADJUSTABLE FLOOR CLEANOUT W/ STAINLESS STEEL TOP

SPECIFICATION SHEET

TAG \_\_\_\_\_

Dimensional Data (inches and [ mm ]) are Subject to Manufacturing Tolerances and Change Without Notice



Dimensions In Inches [mm]			Approx. Wt. Lbs. [kg]
A-Pipe Size	C	E	
Inside Caulk			
2 [51]	6-1/8 [156]	6-7/8 [175]	16.1 [7]
3 [76]	6-1/8 [156]	6-7/8 [175]	15.8 [7]
4 [102]	7-1/4 [184]	6-7/8 [175]	21.3 [10]
6 [152]	9-1/4 [235]	6-7/8 [175]	33.7 [15]
No-Hub			
2 [51]	4-1/8 [105]	4-5/8 [117]	8.2 [4]
3 [76]	4-1/8 [105]	4-3/4 [121]	9.3 [4]
4 [102]	5-1/8 [130]	4-3/4 [121]	12.9 [6]
6 [152]	8-1/4 [210]	4-3/4 [121]	26.6 [12]
8 [203]	9-1/4 [235]	7-1/2 [191]	36.1 [16]
Neo-Loc			
2 [51]	4-1/8 [105]	4-3/4 [121]	9.5 [4]
3 [76]	5-1/8 [130]	4-3/4 [121]	13.2 [6]
4 [102]	5-1/8 [130]	4-3/4 [121]	14.1 [6]
6 [152]	8-1/4 [210]	5-7/8 [149]	24 [11]
8 [203]	9-1/4 [235]	6-1/2 [165]	32 [15]

### ENGINEERING SPECIFICATION: ZURNZS1400

"Level-Trol" Adjustable floor cleanout, Dura-Coated cast iron body, frame and cover with gas and watertight ABS tapered thread plug, and round scoriated stainless steel veneer frame and cover.

### OPTIONS (Check/specify appropriate options)

#### PREFIXES

\_\_\_ ZS D.C.C.I. with Polished Stainless Steel Top\*

#### SUFFIXES

- \_\_\_ -AR Acid Resisting Epoxy Coated Finish
- \_\_\_ -BP Bronze Plug
- \_\_\_ -CM Carpet Marker
- \_\_\_ -DC Duresist Cover
- \_\_\_ -G Galvanized Cast Iron
- \_\_\_ -K Anchor Flange
- \_\_\_ -KC Anchor Flange with Clamp Collar
- \_\_\_ -SG Solid Gasketed Cover
- \_\_\_ -SM Special Marking Stamped on Top
- \_\_\_ -TC Neo-Loc Test Cap Gasket (2,3,4 [51,76,102] NL Bottom Outlet Only)
- \_\_\_ -VP Vandal-Proof Screws

#### PIPE SIZE

- 2,3,4,6 [51,76,102,152]
- 2,3,4,6,8 [51,76,102,152,203]
- 2,3,4,6,8 [51,76,102,152,203]

#### (Specify size/type) OUTLET

- \_\_\_ IC Inside Caulk
- \_\_\_ NH No-Hub
- \_\_\_ NL Neo-Loc

#### 'E' BODY HT. DIM.

- See Chart
- See Chart
- See Chart

\* Regularly furnished unless otherwise specified.