

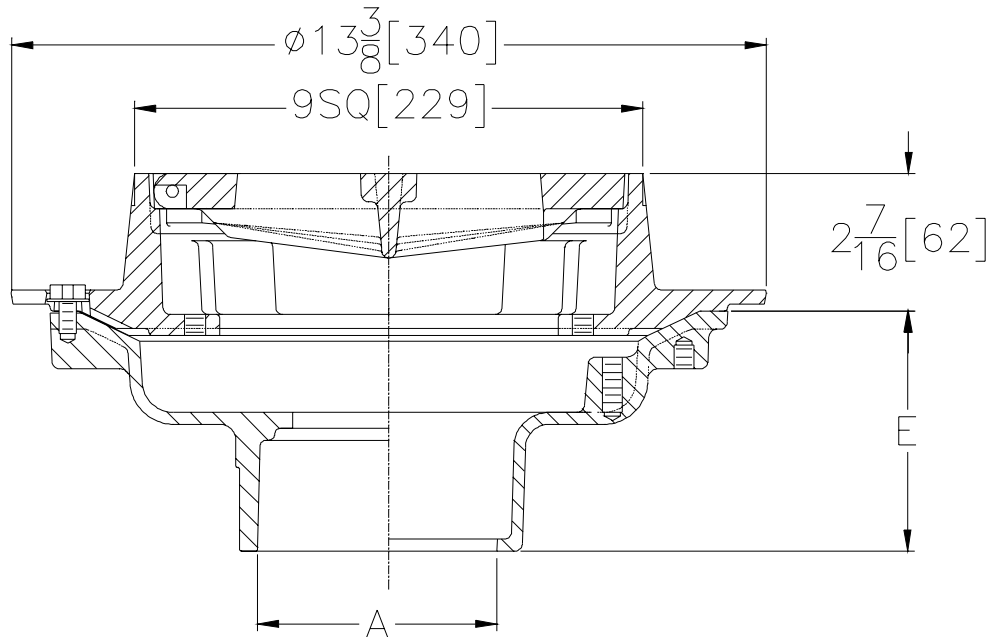


Z-609-H

9 [229] SQUARE HEAVY DUTY DRAIN

TAG _____

Dimensional Data (inches and [mm]) are Subject to Manufacturing Tolerances and Change Without Notice



A- Pipe Size In.	Approx. Wt. Lbs. [kg]	Grate Open Area Sq. In. [cm ²]
2-3-4 [50-75-100]	30 [14]	14 [90]

ENGINEERING SPECIFICATION: ZURN Z-609 - 9 [229] Square Top Drain, Dura-Coated cast iron body with bottom outlet, seepage pan, and heavy duty cast iron anti-tilt hinged grate and combination membrane flashing clamp and frame.

OPTIONS (Check/specify appropriate options)

PIPE SIZE

- 2 thru 4 [50 thru 100]
- 2 thru 4 [50 thru 100]
- 2 thru 4 [50 thru 100]
- 2 thru 4 [50 thru 100]
- 2 thru 4 [50 thru 100]

(Specify size/type) **OUTLET**

- ___ IC Inside Caulk
- ___ IG Inside Caulk w/Sealtrol Gskt.
- ___ IP Threaded
- ___ NH No-Hub
- ___ NL Neo-Loc

'E' BODY HT. DIM.

- 3 3/4 [95]
- 3 3/4 [95]
- 2 3/4 [70]
- 4 3/4 [121]
- 3 1/2 [89]

PREFIXES

- ___ Z- D.C.C.I. Body and Grate*
- ___ ZB- D.C.C.I Body w/Polished Bronze Top (Add 3/16 [5] to 2 7/16 [62] Dim.)
- ___ ZN- D.C.C.I Body w/Polished Nickel Bronze Top (Add 3/16 [5] to 2 7/16 [62] Dim.)

SUFFIXES

- ___ -AR Acid Resistant Epoxy Coated Finish
- ___ -DG Duresist Grate
- ___ -G Galvanized Cast Iron
- ___ -GG Galvanized Grate
- ___ -HL Hinged Locking Grate
- ___ -P Trap Primer Connection
- ___ -S Secondary Strainer
- ___ -SS Stainless Steel Mesh Screen Over Dome
- ___ -V Backwater Valve (See Z-1099)
- ___ -VP Vandal Proof Secured Top
- ___ -Y Sediment Bucket
- ___ -90 90° Threaded Side Outlet Body

*REGULARLY FURNISHED UNLESS OTHERWISE SPECIFIED

REV.	DATE: 1/26/96	C.N. NO. 74069
DWG. NO. 60415		PRODUCT NO. Z-609-H