



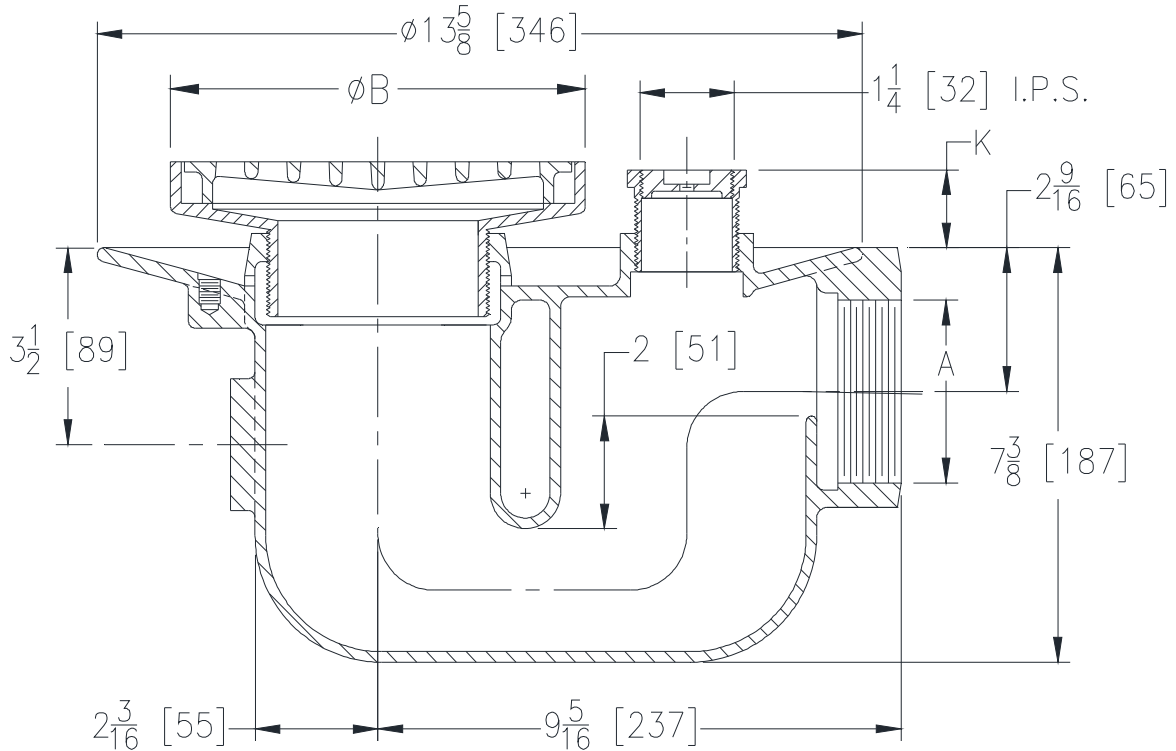
Z455N

TRAP DRAIN W/ "TYPE N" STRAINER & FLOOR CLEANOUT

SPECIFICATION SHEET

TAG _____

Dimensional Data (inches and [mm]) are Subject to Manufacturing Tolerances and Change Without Notice



Dimensions In Inches [mm]				Approx. Wt. Lbs. [kg]	Strainer Open Area Sq. In. [cm ²]
A Pipe Size	B Strainer Dia.	K			
		Min.	Max.		
2, 3, 4 [51, 76, 102]	7 [178]	7/8 [22]	2 [51]	37 [17]	12 [77]
2, 3, 4 [51, 76, 102]	9 [229]	1-1/8 [29]	2-1/4 [57]	39 [18]	23 [148]

ENGINEERING SPECIFICATION: ZURN ZN455N Floor and shower trap drain, Dura-Coated cast iron body with integral trap, side outlet, seepage pan, floor level cleanout and adjustable "TYPE N" D.C.C.I. strainer with deep flanged grate.

OPTIONS (Check/specify appropriate options)

PIPE SIZE

- 2, 3, 4 [51, 76, 102]
- 2, 3, 4 [51, 76, 102]

(Specify size/type) **OUTLET**

- ___ IP Threaded
- ___ NH No-Hub

PREFIXES

- ___ ZN D.C.C.I. Body Assembly w/Polished Nickel Bronze Top*

SUFFIXES

- ___ -C Clamping Collar
- ___ -FC Flush Cover for Plug
- ___ -P Trap Primer Connection (Specify 1/2 [13] or 3/4 [19])
- ___ -PC Protective Cover
- ___ -V Backwater Valve (Ball Float Type)
- ___ -VP Vandal-Proof Secured Top
- ___ -Y Sediment Bucket

* Regularly furnished unless otherwise specified.