



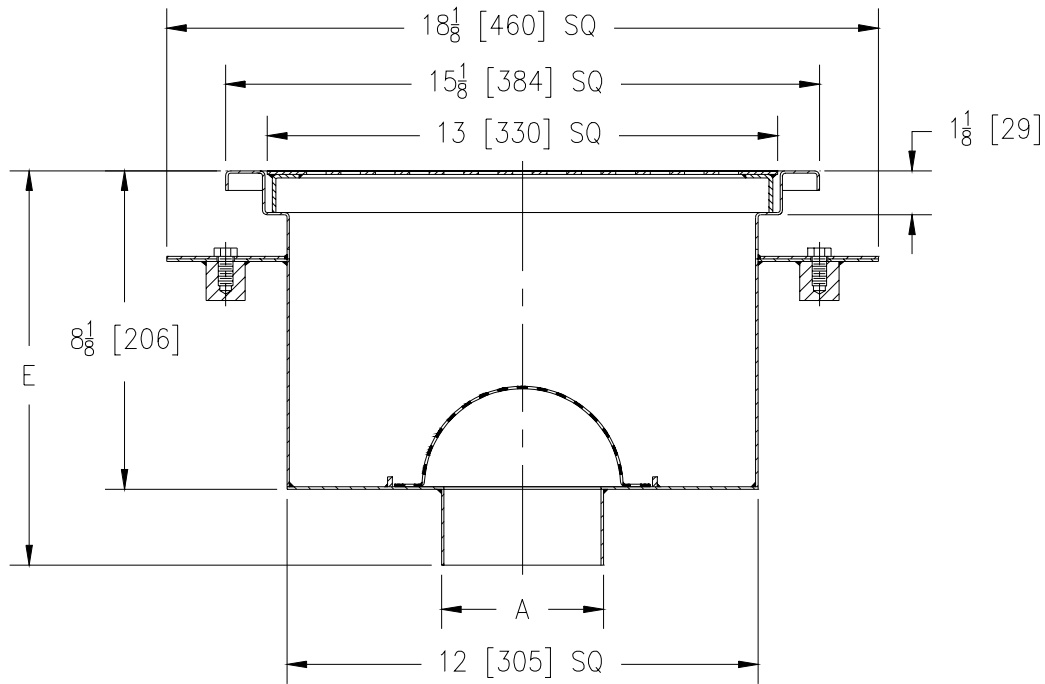
Z-1920-80

SPECIFICATION SHEET

15 1/8 X 15 1/8 [384 X 384] SANI-FLOR RECEPTOR 8 [203] SUMP DEPTH

TAG _____

Dimensional Data (inches and [mm]) are Subject to Manufacturing Tolerances and Change Without Notice



A- Pipe Size In.	Approx Wt. Lbs. [kg]	Grate Open Area Sq. In. [cm ²]
2-3-4 [50-75-100]	20 [9]	42 [271]

ENGINEERING SPECIFICATION: ZURN Z-1920-80 Sani-Flor Receptor 15 1/8 x 15 1/8 x 8 [384 x 384 x 203] deep stainless steel body with seepage flange, clamp collar with seepage holes and anti-splash interior dome strainer, complete with light duty stainless steel grate.

OPTIONS (Check/specify appropriate options)

PIPE SIZE

(Specify size/type) **OUTLET**

'E' BODY HT. DIMENSION

2, 3 & 4 [50, 75 & 100]

____ NH No-Hub

9 1/4 [235]

PREFIXES

____ Z- Stainless Steel Body with 15 1/8 [384] Square Full Grate*

SUFFIXES

- | | | | |
|----------|--|----------|---|
| ____ -LD | (Less) Internal Bottom Dome Strainer | ____ -11 | Vandal Proof Secured Grate |
| ____ -P | 1/2 [13] Threaded Trap Primer Connection (See Z-1023) | ____ -15 | Solid Loose Set Cover |
| ____ -1 | (Less) Grate | ____ -16 | 1/2 Solid Loose Set Cover |
| ____ -2 | 1/2 Grate | ____ -17 | 3/4 Solid Loose Set Cover |
| ____ -3 | 3/4 Grate | ____ -18 | Solid Loose Set Cover With 2 [51] Square Center Opening |
| ____ -4 | Full Grate With 2 [51] Square Opening | ____ -19 | Full Hinged Grate |
| ____ -5 | Grate w/4 [102] Dia. x 3 3/4 [95] High Funnel | ____ -23 | Aluminum Bucket |
| ____ -6 | Grate w/6 [152] Dia. x 6 [152] High Funnel | ____ -31 | Stainless Steel Mesh Liner for Bucket |
| ____ -7 | Grate w/6 3/4 x 3 x 1 [171 x 76 x 25] High Oval Funnel | | |
| ____ -8 | Grate w/8 7/8 x 3 5/8 x 3 3/4 [225 x 92 x 95] High Oval Funnel | | |

*REGULARLY FURNISHED UNLESS OTHERWISE SPECIFIED

REV. A DATE: 2/5/02 C.N. NO. 88306

DWG. NO. P-14868 PRODUCT NO. Z-1920-80

ZURN INDUSTRIES, INC. ♦ SPECIFICATION DRAINAGE OPERATION ♦ 1801 Pittsburgh Ave. ♦ Erie, PA 16514

Phone: 814/455-0921 ♦ Fax: 814/454-7929 ♦ World Wide Web: www.zurn.com

In Canada: ZURN INDUSTRIES LIMITED ♦ 3544 Nashua Drive ♦ Mississauga, Ontario L4V1L2 ♦ Phone: 905/405-8272 Fax: 905/405-1292