

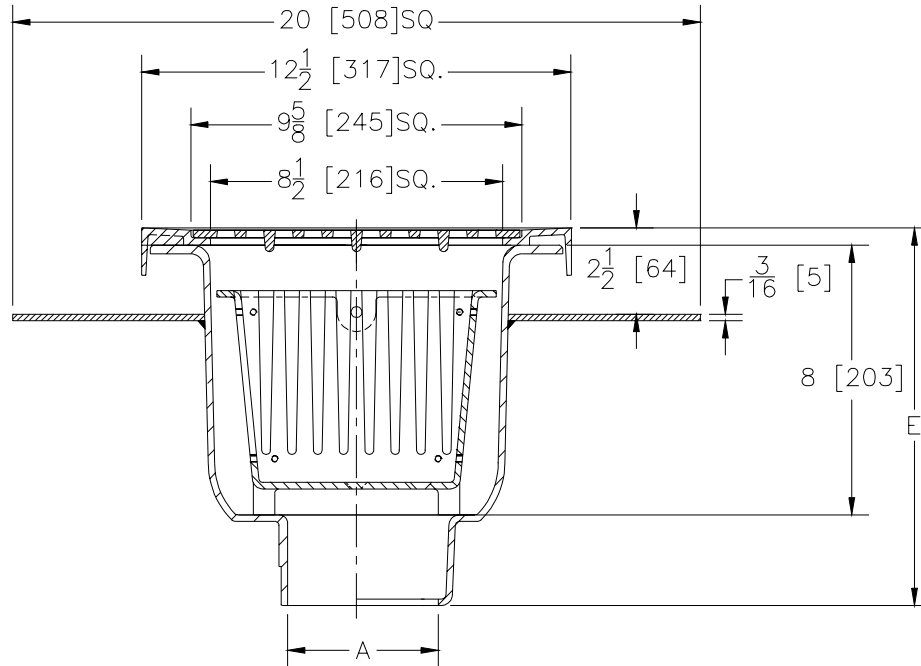


**ZN-1901-81**  
**12 X 12 A.R.E. SANI-FLOR RECEPTOR**  
**8" SUMP DEPTH W/ WIDE FLANGE**

SPECIFICATION SHEET

**TAG** \_\_\_\_\_

Dimensional Data (inches and [ mm ]) are Subject to Manufacturing Tolerances and Change Without Notice



A- Pipe Size In.[mm]	Approx. Wt. Lbs. [kg]	Grate Open Area Sq. In. [cm <sup>2</sup> ]
2-3-4[51-76-102]	34[15]	31[5]

**ENGINEERING SPECIFICATION:** ZURN ZN-1901-81 Sani-Flor Receptor 12" x 12" x 8" [305x305x203] Deep cast iron body with wide flange and square slotted medium duty grate, with white acid resisting porcelain enamel interior and top, complete with aluminum bucket.

**OPTIONS** (Check/specify appropriate options)

**OUTLET** (Specify type)

- \_\_\_\_\_ **IC** Inside Caulk
- \_\_\_\_\_ **NH** No-Hub

**PIPE SIZE** (Specify size)

- \_\_\_\_\_ 2",3",4"[52,76,102]
- \_\_\_\_\_ 2",3",4"[52,76,102]

**'E' BODY HT.**  
**Z**

- \_\_\_\_\_ 10-5/8"[270]
- \_\_\_\_\_ 10-5/8"[270]

**DIMENSION**  
**ZN**

- \_\_\_\_\_ 11-1/8"[283]
- \_\_\_\_\_ 11-1/8"[283]

**PREFIXES**

- \_\_\_\_\_ **ZN-** Cast Iron Body with White A.R.E. Interior, 12-1/2"[318] Square N.B. Frame and Full Grate with 1/4"[6] Square Openings\*

**SUFFIXES**

- |  |  |
|--|--|
| _____ <b>-C</b> Clamping Collar  | _____ <b>-16</b> 1/2 Solid Loose Set Cover                         |
| _____ <b>-LD</b> (Less) Bottom Dome Strainer                                   | _____ <b>-17</b> 3/4 Solid Loose Set Cover                         |
| _____ <b>-P</b> 1/2"[13] Trap Primer Connection (See Z-1023)                   | _____ <b>-18</b> Solid Loose Set Cover w/2"[52] Sq. Center Opening |
| _____ <b>-1</b> (Less) Grate   | _____ <b>-19</b> Full Hinged Grate                                 |
| _____ <b>-2</b> 1/2 Grate  | _____ <b>-25</b> White A.R.E. Bucket                               |
| _____ <b>-3</b> 3/4 Grate  | _____ <b>-31</b> Stl. Steel Mesh Liner for Bucket                  |
| _____ <b>-4</b> Full Grate w/2"[52] Sq. Center Opening                         | _____ <b>-33</b> White A.R.E. Anti-Splash Bottom Dome Strainer     |
| _____ <b>-5</b> Grate w/4"[102] Dia. x 3-3/4"[95] High Funnel                  | _____ <b>-34</b> N.B. Anti-Splash Bottom Dome Strainer             |
| _____ <b>-6</b> Grate w/6"[152] Dia. x 6"[152] High Funnel                     |  |
| _____ <b>-7</b> Grate w/6-3/4"[171] x 3"[76] x 1"[25] High Oval Funnel         |  |
| _____ <b>-8</b> Grate w/8-7/8"[225] x 3-5/8"[92] x 3-3/4"[95] High Oval Funnel |  |
| _____ <b>-9</b> Angle Frame and Grate  |  |
| _____ <b>-11</b> Vandal Proof Secured Grate                                    |  |
| _____ <b>-12</b> Depressed Aluminum Grate                                      |  |
| _____ <b>-15</b> Solid Loose Set Cover   |  |

\*REGULARLY FURNISHED UNLESS OTHERWISE SPECIFIED

<b>REV.</b>	<b>DATE: 12/12/01</b>	<b>C.N. NO. 88212</b>
<b>DWG. NO. P-14863</b>	<b>PRODUCT NO. ZN-1901-81</b>	