



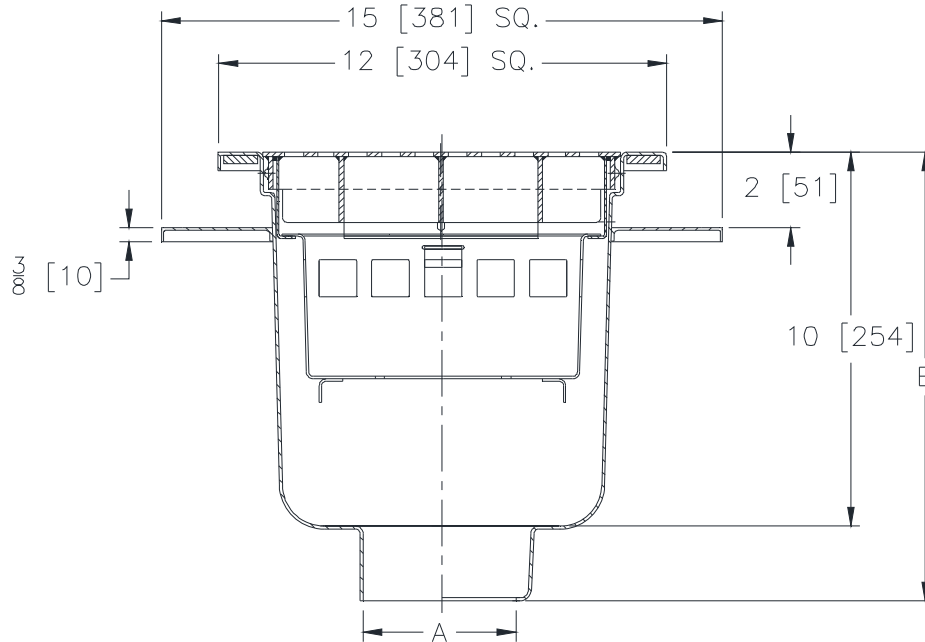
Z1752-HD-K-YS

12X12 [305X305] SANI-FLOR RECEPTOR W/ 10 [254] SUMP DEPTH, ANCHOR FLANGE, SEEPAGE HOLES, EXTRA HEAVY-DUTY GRATE, & SUSPENDED SEDIMENT BUCKET

SPECIFICATION SHEET

TAG _____

Dimensional Data (inches and [mm]) are Subject to Manufacturing Tolerances and Change Without Notice



A Pipe Size In. [mm]	Approx. Wt. Lbs. [kg]	Grate Open Area Sq. In. [cm ²]
2,3,4 [51,76,102]	24 [11]	23 [149]
6 [152]	25 [11]	23 [149]

Engineering Specification: ZURN Z1752-HD-K-YS

12" x 12" x 10" [305mm x 305mm x 254mm] Deep, 16 gage, all type 304 (CF8) stainless steel extra heavy-duty Sani-Flor receptor with seepage pan, non-tilt, loose set extra heavy-duty full grate with 1/2" [13mm] square openings, anchor flange, and suspended sediment bucket.

OPTIONS (Check/specify appropriate options)

PIPE SIZES

2, 3, 4, 6 [51, 76, 102, 152]
2, 3, 4 [51, 76, 102]

(Specify size/type) **OUTLET**

___ NH No-Hub
___ NL Neo-Loc

'E' BODY HT. DIM.

8-1/16 [205]
7-13/16 [198]

PREFIXES

___ Z Type 304 (CF8) Stainless Steel Body*
___ ZM Type 316 (CF8M) Stainless Steel

SUFFIXES

___ -DX Dex-O-Tex Flange
___ -P 1/2 [13] Trap Primer Connection
___ -TC Neo-Loc Test Cap Gasket
(2,3,4 [51,76,102] NL Bottom Outlet Only)
___ -VP Vandal-Proof Secured Top
___ -2 1/2 Grate
___ -3 3/4 Grate
___ -4 Full Grate w/ 3 [76] Square Opening
___ -5 Grate w/ 4 [102] Dia. x 3-3/4 [95] High
Type 304 Stainless Steel Funnel
___ -8 Grate w/ 8-3/8 x 3-5/8 x 3-3/4 [213 x 92 x 95]
High Type 304 Stainless Steel Oval Funnel

* Regularly furnished unless otherwise specified.