



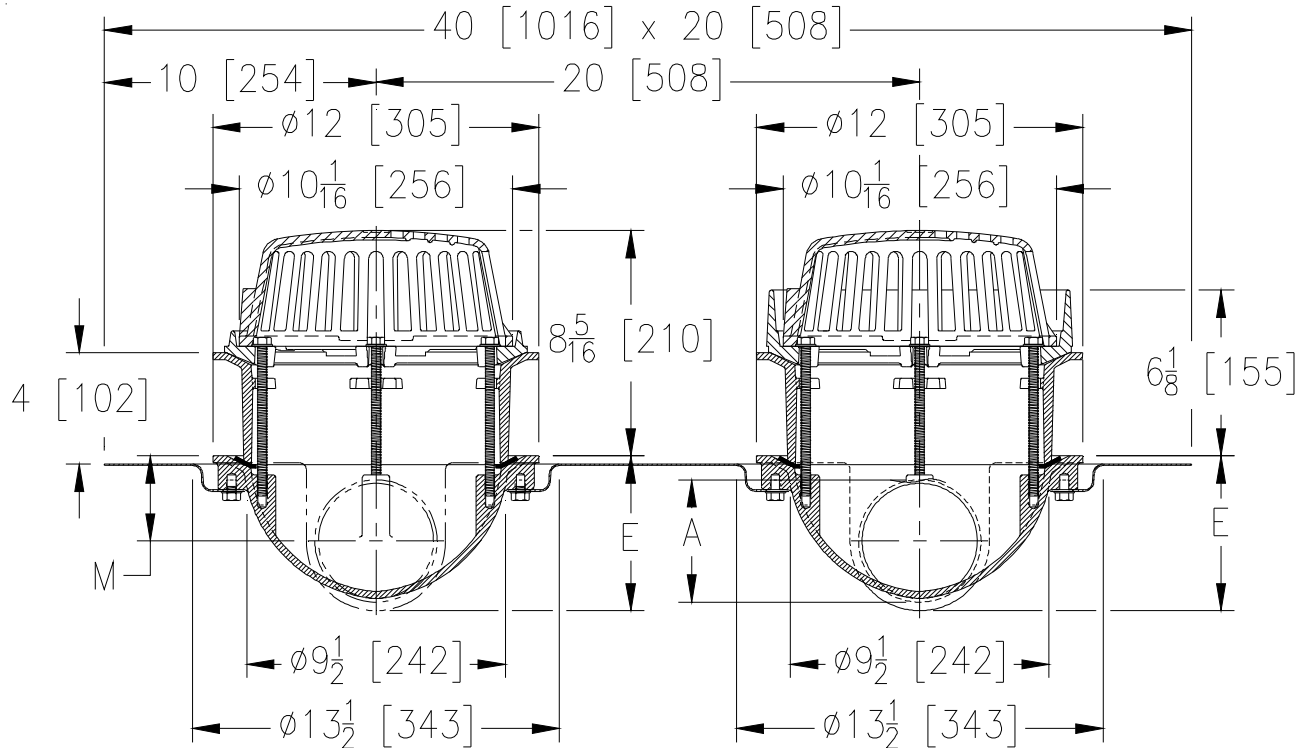
Z164-80

Ø12 [305] COMBINATION MAIN ROOF &
OVERFLOW DRAIN W/ SIDE OUTLETS, EXTENSIONS
& DOUBLE TOP-SET® DECK PLATE

SPECIFICATION SHEET

TAG _____

Dimensional Data (inches and [mm]) are Subject to Manufacturing Tolerances and Change Without Notice



Dimensions In Inches		Approx. Wt. Lbs. [kg]	Dome Open Area Sq. In. [sq. cm.]
A Pipe Size	M		
2 [51]	4-1/8 [108]	80 [36]	78 [503]
3 [76]	3-5/8 [94]		
4 [102]	3-1/8 [81]		

ENGINEERING SPECIFICATION: ZURN Z164-80

12 [305] Diameter roof drain and overflow drain, Dura-Coated cast iron bodies with side outlets, combination membrane flashing clamp/gravel guards, double Top-Set® deck plate, static extensions and low silhouette cast iron domes.

OPTIONS (Check/specify appropriate options)

PIPE SIZE 2 thru 4 [51 thru 102] (Specify size/type) _____ **OUTLET** _____ IP Threaded

E BODY HT. DIM. 5-3/4 [146]

PREFIXES

- ___ Z D.C.C.I. Body with Dome (4-1/4 [108] Dome Height)*
- ___ ZA D.C.C.I. Body with Aluminum Dome (6-9/16 [167] Dome Height)
- ___ ZRB D.C.C.I. Body with Plain Bronze Dome (3-7/8 [98] Dome Height)

SUFFIXES

- ___ -AR Acid Resistant Epoxy Coated Finish
- ___ -BS Bronze Mesh Screen Over Dome
- ___ -G Galvanized Cast Iron
- ___ -SC Secondary Clamping Collar
- ___ -SS Stainless Steel Mesh Screen Over Dome
- ___ -VP Vandal-Proof Secured Top
- ___ -84 Stainless Steel Perforated Gravel Guard
- ___ -85 Stainless Steel Perforated Extension

REV.	DATE: 08/14/12	C.N. NO. 124660
DWG. NO. 310280	PROD. NO. Z164-80	

*REGULARLY FURNISHED UNLESS OTHERWISE SPECIFIED