

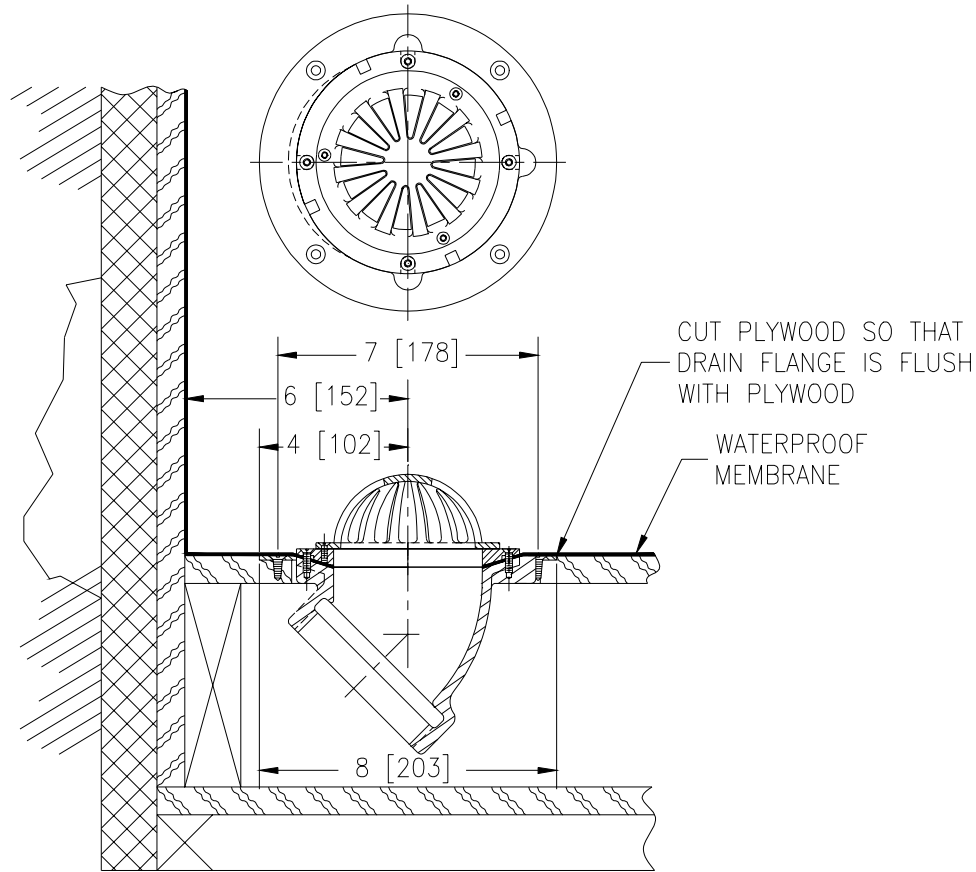


Z-185-75 CORNICE DRAIN 45° OUTLET WITH MOUNTING FLANGE

SPECIFICATION SHEET

TAG _____

Dimensional Data (inches and [mm]) are Subject to Manufacturing Tolerances and Change Without Notice



Dimensions In Inches					Approx. Wt. Lbs.[kg]	Dome Open Area Sq. In.[cm ²]
A- Pipe Size	F	M	Low	U High		
3[76]	3-1/2[89]	3[76]	2[51]	5-3/4[146]	9[4]	12[77]
4[102]	2[51]	2-1/4[57]				

ENGINEERING SPECIFICATION: ZURN ZRB-185-75 Cornice drain, Dura-Coated cast iron 45° outlet body with mounting flange, plain bronze dome and membrane flashing clamp.

OPTIONS (Check/specify appropriate options)

OUTLET

- _____ IP Threaded
- _____ IP Threaded

PIPE SIZE (Specify size)

- _____ 3[76]
- _____ 4[102]

'E' BODY HT. DIMENSION

- 5[127]
- 5 3/8[137]

PREFIXES

- _____ ZRB- D.C.C.I. Body with Plain Bronze Dome*
- _____ ZB- D.C.C.I. Body with Polished Bronze Dome
- _____ ZN- D.C.C.I. Body with Polished Nickel Bronze Dome

SUFFIXES

- _____ -FS Flat Strainer (ZB or ZN)
- _____ -G Galvanized Cast Iron
- _____ -HD High Dome
- _____ -VP Vandal Proof Secured Top

REV.	DATE: 8/27/98	C.N. NO. 81037
DWG. NO. P-14661 PRODUCT NO. Z-185-75		

*REGULARLY FURNISHED UNLESS OTHERWISE SPECIFIED