



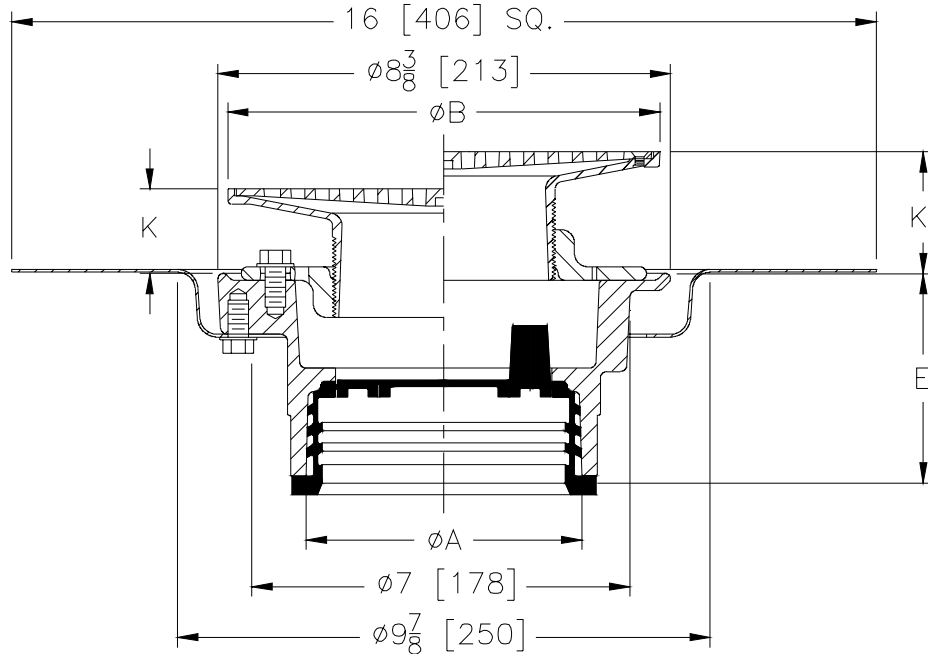
Z415B-95

BODY ASSEMBLY W/ TOP-SET® DECK PLATE & NEO-LOC OUTLET W/ INTEGRAL TEST CAP

SPECIFICATION SHEET

TAG _____

Dimensional Data (inches and [mm]) are Subject to Manufacturing Tolerances and Change Without Notice



Dimensions In Inches						Approx. Wt. Lbs. [Kg.]	Strainer Open Area Sq. In. [Cm ²]
A - Pipe Size	B-Strainer Dia.	K		K'			
		Min.	Max.	Min.	Max.		
2-3 [51-76]	5 [127]	1/2 [13]	1 5/8 [41]	1 3/8 [35]	2 3/8 [60]	11 [5]	8 [52]
2-3-4 [51-76-102]	6 [152]	3/4 [19]	1 3/4 [44]	1 5/8 [41]	2 3/4 [70]	13 [6]	9 [58]
2-3-4 [51-76-102]	7 [178]	1 [25]	2 1/4 [57]	2 [51]	3 1/8 [79]	14 [6]	12 [77]
3-4 [76-102]	8 [203]	1 1/8 [29]	2 1/4 [57]	2 [51]	3 1/8 [79]	16 [7]	18 [116]
6 [152]	8 [203]	1 1/8 [29]	2 1/4 [57]	2 [51]	3 1/8 [79]	18 [8]	18 [116]
6 [152]	10 [254]	1 5/8 [41]	2 5/8 [67]	2 5/8 [67]	3 1/2 [89]	22 [10]	26 [168]

ENGINEERING SPECIFICATION: ZURN ZN415B-95 Floor and shower drain, Dura-Coated cast iron body with neo-loc outlet with integral test cap, combination invertible membrane clamp and adjustable collar with seepage slots, "Type B" polished nickel bronze strainer and top-set® deck plate.

OPTIONS (Check/specify appropriate options)

PIPE SIZE (Specify size) **OUTLET** **'E' BODY HT. DIM.**
 2 thru 4 [51 thru 102] _____ NL Neo-Loc 4 5/8 [117]

PREFIXES

- _____ ZB D.C.C.I. Body Assembly w/ Polished Bronze Top
- _____ ZN D.C.C.I. Body Assembly w/ Polished Nickel Bronze Top*
- _____ ZS D.C.C.I. Body Assembly w/ 6 [152] Dia. Stainless Steel Top

SUFFIXES

- _____ -AA All Acid Resisting Epoxy
- _____ -AR Acid Resisting Epoxy Coated Cast Iron
- _____ -DP Decorative Polished Top
- _____ -G Galvanized Cast Iron
- _____ -HD Heavy Duty Slotted Grate (ZN 5 [127] and 6 [152] Sizes Only)
- _____ -VP Vandal-Proof Secured Top
- _____ -Y Sediment Bucket
- _____ -4 4 [102] Diameter Funnel

REV. A	DATE: 03/02/04	C.N. NO. 91979
DWG. NO. P-14944	PRODUCT NO. Z415B-95	

*REGULARLY FURNISHED UNLESS OTHERWISE SPECIFIED