



Z100-224

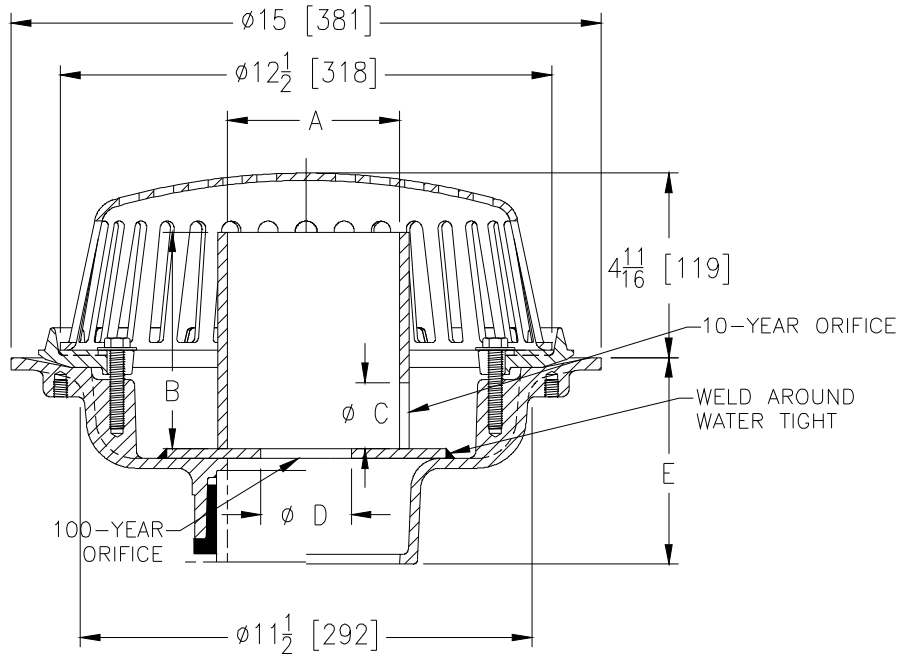
SPECIFICATION SHEET

15 [381] DIAMETER MAIN ROOF DRAIN LOW SILHOUETTE DOME W/CONTROL FLOW ORIFICE

TAG _____

Dimensional Data (inches and [mm]) are Subject to Manufacturing Tolerances and Change Without Notice

DRAIN	10-YEAR		100-YEAR
	DEPTH (IN),B	ORIFICE Ø (IN),C	ORIFICE Ø (IN),D
1.1	5.28	1.1	2.2
1.2	5.40	1.3	2.2
1.3	4.92	1.1	1.9
2.1	4.92	1.1	1.9
2.2	5.40	1.1	2.1
2.3	5.28	1.1	2.1
3.1	5.52	1.3	2.3
3.2	5.40	1.3	2.2
3.3	4.92	1.1	1.9
3.4	4.44	1.1	1.7
3.5	4.44	1.1	1.7



A Pipe Size In.	Approx. Wt. Lbs. [kg]	Dome Open Area Sq. In. [cm ²]
3,4 [76,102]	26 [12]	103 [665]
5,6 [127,152]	27 [12]	
8 [203]	28 [13]	

ENGINEERING SPECIFICATION: ZURN Z100-224

15 [381] Diameter roof drain. Dura-Coated cast iron body with combination membrane flashing clamp/gravel guard, low silhouette Poly-Dome, and water dam featuring 10-year and 100-year control flow orifices.

OPTIONS (Check/specify appropriate options)

PIPE SIZE

- 3 thru 6,8 [76 thru 152,203]
- 3 thru 6,8 [76 thru 152,203]
- 3 thru 6,8 [76 thru 152,203]
- 3,4 [76,102]
- 6 [152]

(Specify size/type) OUTLET

- _____ IC Inside Caulk
- _____ IP Threaded
- _____ NH No-Hub
- _____ NL Neo-Loc
- _____ NL Neo-Loc

E BODY HT. DIM.

- 5 1/4 [133]
- 3 3/4 [95]
- 5 1/4 [133]
- 4 9/16 [116]
- 5 7/16 [112]

PREFIXES

- _____ Z D.C.C.I. Body with Poly-Dome*
- _____ ZA D.C.C.I. Body with Aluminum Dome
- _____ ZC D.C.C.I. Body with Cast Iron Dome
- _____ ZRB D.C.C.I. Body with Plain Bronze Dome

SUFFIXES

- | | |
|---|--|
| _____ -AC Angular Underdeck Clamp | _____ -HD 6 3/4 [171] High Aluminum Dome Strainer (148 Sq. In. [955 cm ²] Open Area) (ZA Only) |
| _____ -AR Acid Resistant Epoxy Coated | _____ -R Roof Sump Receiver |
| _____ -BS Bronze Mesh Screen Over Dome | _____ -SC Secondary Clamp Collar |
| _____ -C Underdeck Clamp | _____ -SS Stainless Steel Mesh Screen Over Dome |
| _____ -DE Deck Extension | _____ -ST Dome with Solid Top (ZA, ZC & ZRB Only) |
| _____ -DP Top-Set® Deck Plate (Replaces both the -C and -R) | _____ -VP Vandal-Proof Secured Top |
| _____ -DR Top-Set® Drain Riser | _____ -84 Stainless Steel Perforated Gravel Guard |
| _____ -DX Dex-o-tex Flange | _____ -85 Stainless Steel Perforated Extension |
| _____ -EB Top-Set® Adjustable Extension Assembly | _____ -89 2 [51] High External Water Dam |
| _____ -G Galvanized Cast Iron | |
| _____ -GD Galvanized Cast Iron Dome (ZC Only) | |

REV. DATE: 05/18/10 C.N. NO. 111132

DWG. NO. 300574 PRODUCT NO. Z100-224

*REGULARLY FURNISHED UNLESS OTHERWISE SPECIFIED

ZURN INDUSTRIES, LLC ♦ SPECIFICATION DRAINAGE OPERATION ♦ 1801 Pittsburgh Ave. ♦ Erie, PA 16514

Phone: 814/455-0921 ♦ Fax: 814/454-7929 ♦ World Wide Web: www.zurn.com

In Canada: ZURN INDUSTRIES LIMITED ♦ 3544 Nashua Drive ♦ Mississauga, Ontario L4V1L2 ♦ Phone: 905/405-8272 Fax: 905/405-1292