



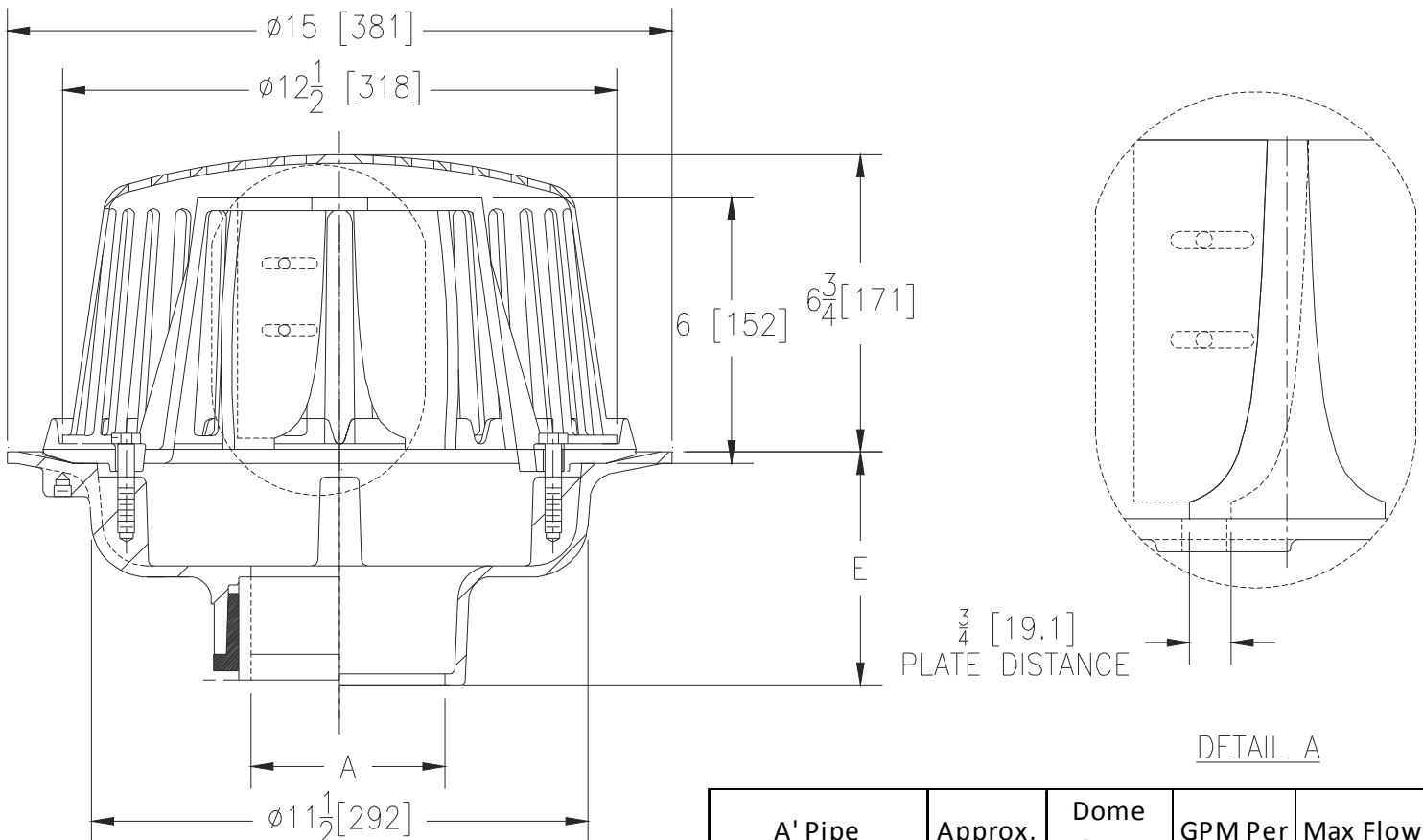
Z105-10-100

3/4" [19] RESTRICTED WEIR FOR SLOPED-ROOF "CONTROL-FLO" ROOF DRAIN

SPECIFICATION SHEET

TAG _____

Dimensional Data (inches and [mm]) are Subject to Manufacturing Tolerances and Change Without Notice



A' Pipe Size in [mm]	Approx, Wt. lbs [kgs]	Dome Open Area in ² [cm ²]	GPM Per Head [LPM]	Max Flow GPM [LPM]
2,3,4 [51,76,102]	34 [15]	148 [955]	5.6 [21]	33.6 [127]

Engineering Specification: Z105-10-100

15" [381mm] Diameter Control-Flo Roof Drain for sloped roof construction. Dura-coated cast iron body, aluminum Control-Flo weir shall be linear functioning with integral membrane flashing clamp / gravel guard and aluminum dome.

OPTIONS (Check/specify appropriate options)

PIPE SIZE

2,3,4 [51,76,102]
2,3,4 [51,76,102]
2,3,4 [51,76,102]
2,3,4 [51,76,102]

(Specify size/type) OUTLET

_____ IC Inside Caulk
_____ IP Threaded
_____ NH No-Hub
_____ NL Neo-Loc

E BODY HT. DIM.

5-1/4 [133]
3-3/4 [95]
5-1/4 [133]
4-9/16 [116]

PREFIXES

_____ ZA D.C.C.I. Body with Aluminum Dome*
_____ ZC D.C.C.I. Body with Cast Iron Dome

* Regularly furnished unless otherwise specified.