

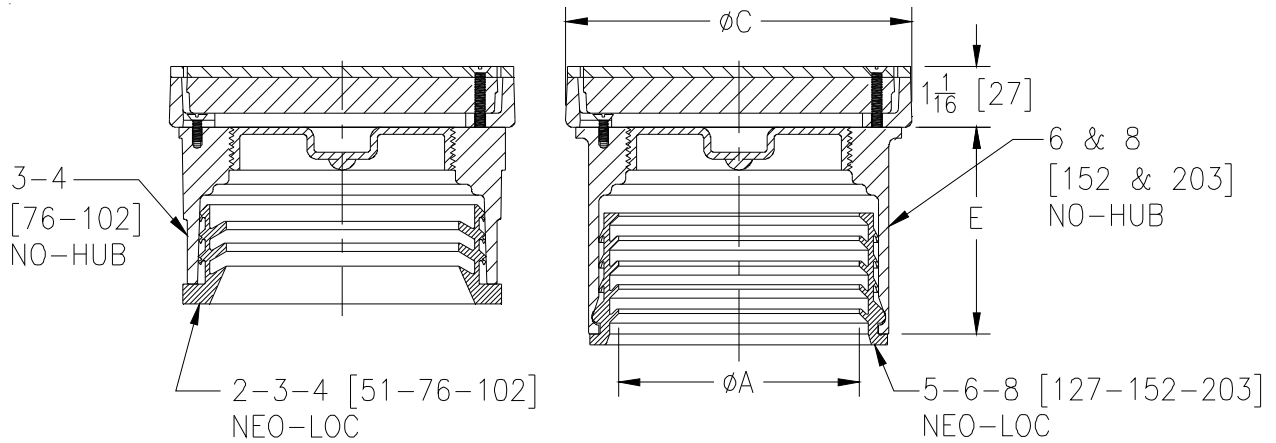


Z1402-75 NON-ADJUSTABLE CLEANOUT W/ STAINLESS STEEL TOP

SPECIFICATION SHEET

TAG _____

Dimensional Data (inches and [mm]) are Subject to Manufacturing Tolerances and Change Without Notice



Dimensions In Inches				Approx. Wt. Lbs. [kg]
A-Pipe Size		C	E	
NL	NH			
2 [51]	3 [76]	4 1/8 [105]	2 3/4 [70]	5 [2]
3 [76]	4 [120]	5 1/8 [130]	2 3/4 [70]	8 [4]
4 [102]	---	6 1/8 [156]	2 3/4 [70]	10 [5]
5 [127]	6 [152]	7 1/4 [184]	3 5/8 [92]	15 [7]
6 [152]	---	8 1/4 [210]	3 5/8 [92]	17 [8]
8 [203]	8 [203]	9 1/4 [235]	3 5/8 [92]	22 [10]

ENGINEERING SPECIFICATION: ZURN Z1402-75

Tuf-Top non-adjustable floor cleanout with Dura-Coated cast iron body, with gas and watertight ABS tapered thread plug, and round scoriated secured cover and frame, and stainless steel veneer frame and cover.

OPTIONS (Check/specify appropriate options)

PIPE SIZE

3 thru 6 - 8 [76 thru 152 - 203]
2 thru 6 - 8 [51 thru 152 - 203]

(Specify size/type) **OUTLET**

_____ NH No-Hub
_____ NL Neo-Loc

'E' BODY HT. DIM.

See Chart
See Chart

PREFIXES

_____ ZS D.C.C.I. with Stainless Steel Top*

SUFFIXES

_____ -BP Bronze Plug
_____ -CM Carpet Marker
_____ -G Galvanized Cast Iron
_____ -HD Heavy-Duty Top
_____ -T Square Top
_____ -VP Vandal-Proof Screws

REV.	DATE: 3/24/10	C.N. NO. 110901	
DWG. NO. P-15876	PRODUCT NO. Z1402-75		

*REGULARLY FURNISHED UNLESS OTHERWISE SPECIFIED