



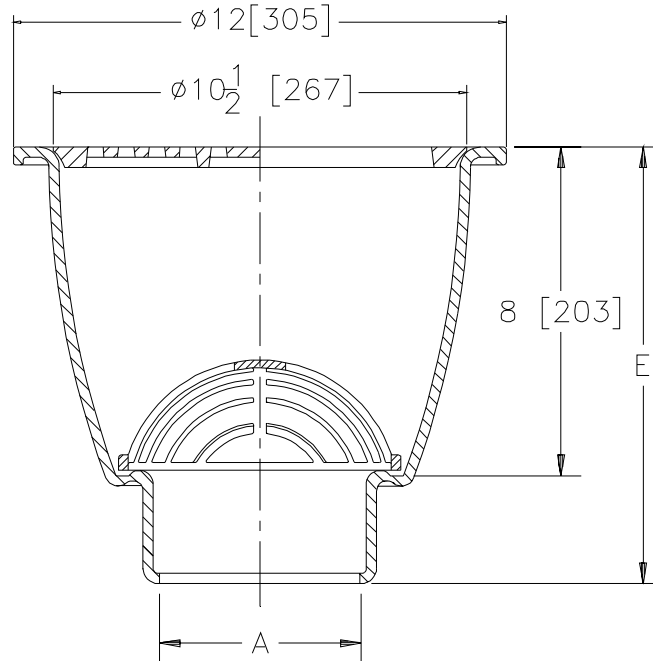
Z1950-2

12 [305] DIAMETER A.R.E. SANI-FLOR RECEPTOR
8 [203] SUMP DEPTH W/ 1/2 GRATE

SPECIFICATION SHEET

TAG _____

Dimensional Data (inches and [mm]) are Subject to Manufacturing Tolerances and Change Without Notice



A- Pipe Size In. [mm]	Approx Wt. Lbs. [kg]	Grate Open Area Sq. In. [cm ²]
2, 3, 4 [51, 76, 102]	33 [15]	36 [232]

ENGINEERING SPECIFICATION: ZURN Z1950-2 Sani-Flor Receptor 12" [305mm] diameter x 8" [203mm] deep cast iron body and round slotted light duty 1/2 grate, with white acid resisting porcelain enamel interior and top, black ground enamel exterior coating, and white ABS anti-splash interior bottom dome strainer.

OPTIONS (Check/specify appropriate options)

PIPE SIZE

(Specify size/type) **OUTLET**

'E' BODY HT. DIMENSION

- 3, 4 [76, 102]
- 2, 3, 4 [51, 76, 102]
- 2, 3, 4 [51, 76, 102]

- ___ IC Inside Caulk
- ___ NH No-Hub
- ___ NL Neo-Loc

- | Z | ZN |
|--------------|--------------|
| 10-5/8 [270] | 11 [279] |
| 10-5/8 [270] | 11 [279] |
| 10 [254] | 10-3/8 [264] |

PREFIXES

- ___ Z Cast Iron Body with White A.R.E. Interior*
- ___ ZN Cast Iron Body with White A.R.E. Interior, 12-1/2 [321] N.B. Frame and Full Grate with 1/4 [6] Square Openings

SUFFIXES

- ___ -K Anchor Flange With Seepage Holes
- ___ -KC Flange w/ Seepage Holes and Clamping Collar
- ___ -LD (Less) Internal Bottom Dome Strainer
- ___ -P 1/2 [13] Threaded Trap Primer Connection (See Z1023)
- ___ -TC Neo-Loc Test Cap Gasket
(2, 3, 4 [51, 76, 102] NL Bottom Outlet Only)
- ___ -11 Vandal-Proof Secured Grate (ZN Only)
- ___ -23 Aluminum Bucket
- ___ -25 White A.R.C. Bucket
- ___ -31 Stainless Steel Mesh Liner for Bucket
- ___ -32 Aluminum Dome Strainer
- ___ -33 White A.R.C. Anti-Splash Bottom Dome Strainer

* Regularly furnished unless otherwise specified.