

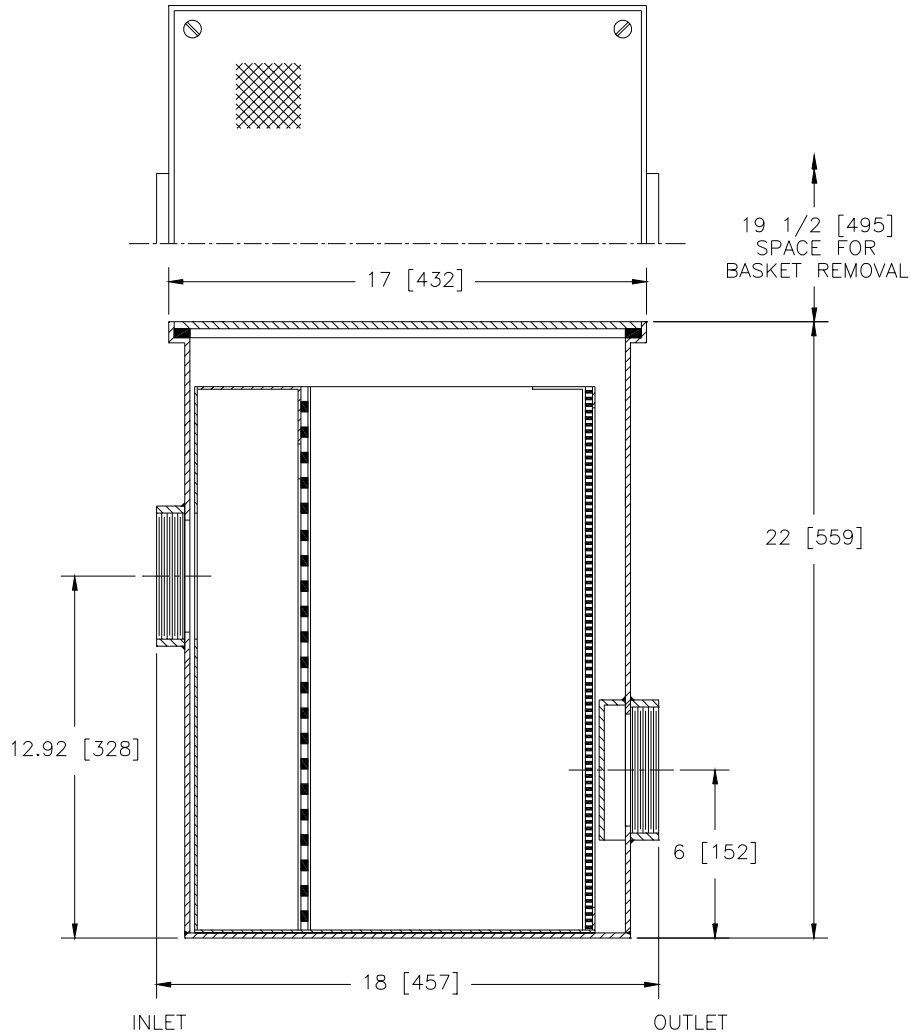


# Z-1181-82 SOLIDS INTERCEPTOR

SPECIFICATION SHEET

TAG \_\_\_\_\_

Dimensional Data (inches and [ mm ]) are Subject to Manufacturing Tolerances and Change Without Notice



Inlet/Outlet Inches	Flow Rate GPM [L]	Approx. Wt. Lbs. [kg]
1-1/2, 2** [38, 50]	30 [113]	40 [18]

**ENGINEERING SPECIFICATION:** ZURN Z-1181-82 Large capacity Acid Resistant Coated fabricated steel solids interceptor, in lieu of fixture 'P' trap, for on-floor or flush with floor installation, with removable sediment bucket having removable primary and secondary flow diffusing/intercepting screens, with gasketed non-skid secured cover. Regularly furnished with 2 [50] low inlet and high outlet.\*\*

**OPTIONS** (Check/specify appropriate options)

**PREFIXES**

- \_\_\_ Z- Acid Resistant Coated Fabricated Steel\*
- \_\_\_ ZS- All Fabricated Type 304 Stainless Steel

**SUFFIXES**

- \_\_\_ -SS Custom Stainless Mesh Screen for Bucket (Specify opening size)
- \_\_\_ -YR Replacement Basket Assembly

REV.	DATE: 6/3/99	C.N. NO. 82612
DWG. NO. P-14719 PRODUCT NO. Z-1181-82		

\*REGULARLY FURNISHED UNLESS OTHERWISE SPECIFIED