



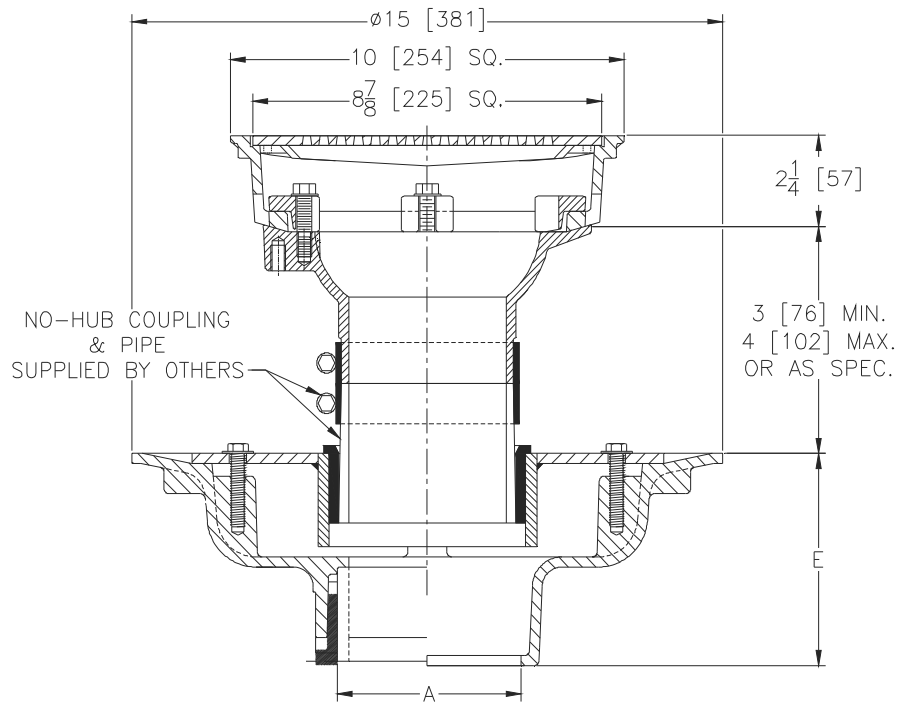
Z625-102

ISOLATION DECK DRAIN W/ UPPER Z158 DRAIN

SPECIFICATION SHEET

TAG _____

Dimensional Data (inches and [mm]) are Subject to Manufacturing Tolerances and Change Without Notice



A Pipe Size	Approx. Wt. Lbs. [kg]	Grate Open Area Sq. In. [cm ²]
2, 3, 4 [51, 76, 102]	53 [24]	21 [136]
5, 6 [127, 152]		

ENGINEERING SPECIFICATION: ZURN Z625-102

Adjustable isolation deck drain, Dura-Coated cast iron upper and lower bodies, lower clamp collar with neoprene flex gasket. Upper body with rotatable square promenade frame with seepage openings, frame clamps and light-duty heel-proof grate.

OPTIONS (Check/specify appropriate options)

PIPE SIZE

- 2 thru 6 [51 thru 152]
- 2 thru 4, 6 [51 thru 102, 152]
- 2 thru 6 [51 thru 152]
- 2 thru 6 [51 thru 152]
- 2 thru 4 [51 thru 102]
- 6 [152]

(Specify size/type) **OUTLET**

- _____ IC Inside Caulk
- _____ IG Inside Caulk w/Sealtrol Gskt.
- _____ IP Threaded
- _____ NH No-Hub
- _____ NL Neo-Loc
- _____ NL Neo-Loc

'E' BODY HT. DIM.

- 5-1/4 [133]
- 5-1/4 [133]
- 3-3/4 [95]
- 5-1/4 [133]
- 4-9/16 [116]
- 5-7/16 [138]

PREFIXES

- _____ Z D.C.C.I. Body and Top*
- _____ ZB D.C.C.I. Body w/Polished Bronze Top
- _____ ZN D.C.C.I. Body w/Polished Nickel Bronze Top

SUFFIXES

- _____ -C Underdeck Clamp (Lower Body)
- _____ -DG Duresist Grate (Z only)
- _____ -G Galvanized Cast Iron
- _____ -R Sump Receiver (Lower Body)
- _____ -TS Top Secured with Slotted Screws
- _____ -VP Vandal-Proof Secured Top
- _____ -Y Sediment Bucket (Upper Body)

REV.	DATE: 04/26/13	C.N. NO. 129238
PROD./DWG. NO. Z625-102		

*REGULARLY FURNISHED UNLESS OTHERWISE SPECIFIED