



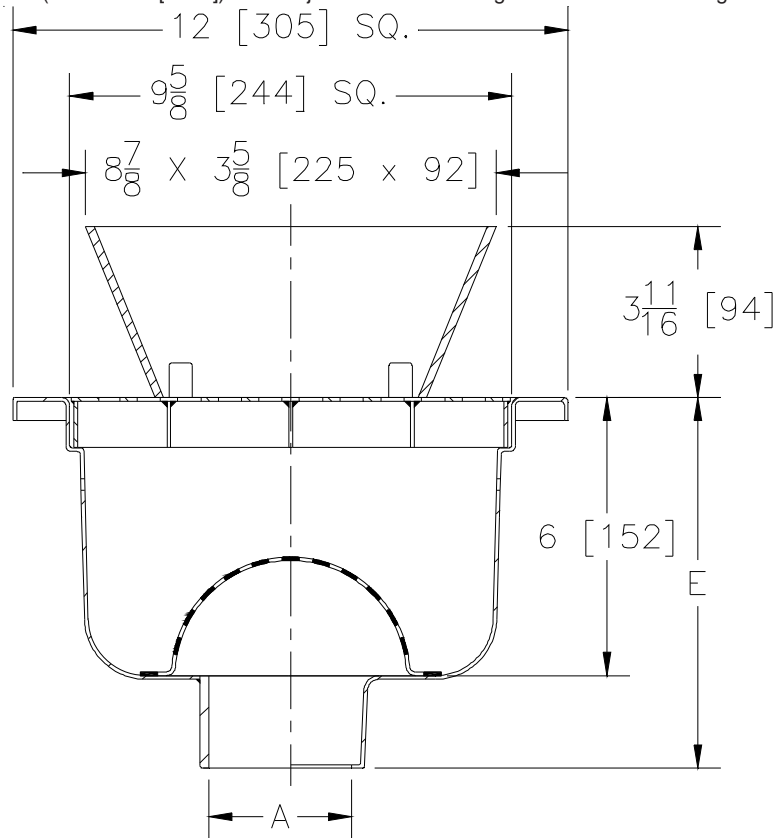
Z1750-8

12 X 12 [305 x 305] SANI-FLOR RECEPTOR
6 [152] SUMP DEPTH W/ OVAL FUNNEL

SPECIFICATION SHEET

TAG _____

Dimensional Data (inches and [mm]) are Subject to Manufacturing Tolerances and Change Without Notice



A - Pipe Size In [mm]	Approx. Wt. Lbs. [kg]	Grate Open Area Sq. In. [cm ²]
2, 3, 4 [51, 76, 102]	15 [7]	23 [148]
6 [152]	17 [8]	

ENGINEERING SPECIFICATION: ZURN Z1750-8

12" x 12" x 6" [305mm x 305mm x 152mm] deep, 16 gage, All Type 304 (CF8) Stainless Steel light duty Sani-Flor receptor with non-tilt, loose set full grate with 1/2" [13mm] square openings, anti-splash interior dome strainer and stainless steel oval funnel.

OPTIONS (Check/specify appropriate options)

PIPE SIZE

- 3, 4 [76, 102]
- 2, 3, 4, 6 [51, 76, 102, 152]
- 3, 4 [76, 102]

(Specify size/type) **OUTLET**

- ___ IC Inside Caulk
- ___ NH No-Hub
- ___ NL Neo-Loc

'E' BODY HT. DIM.

- 8-9/16 [214]
- 8-1/16 [205]
- 7-13/16 [198]

PREFIXES

- ___ Z Type 304 (CF8) Stainless Steel Body*

SUFFIXES

- ___ -DX Dex-o-tex Flange
- ___ -K Anchor Flange w/ Seepage Holes
- ___ -KC Anchor Flange w/ Seepage Holes and Clamp Collar
- ___ -P 1/2 [13] Trap Primer Connection
- ___ -TC Neo-Loc Test Cap Gasket
(3, 4 [76, 102] NL Bottom Outlet Only)
- ___ -VP Vandal-proof Secured Top
- ___ -Y Sediment Bucket
- ___ -YS Suspended Sediment Bucket

* Regularly furnished unless otherwise specified.