



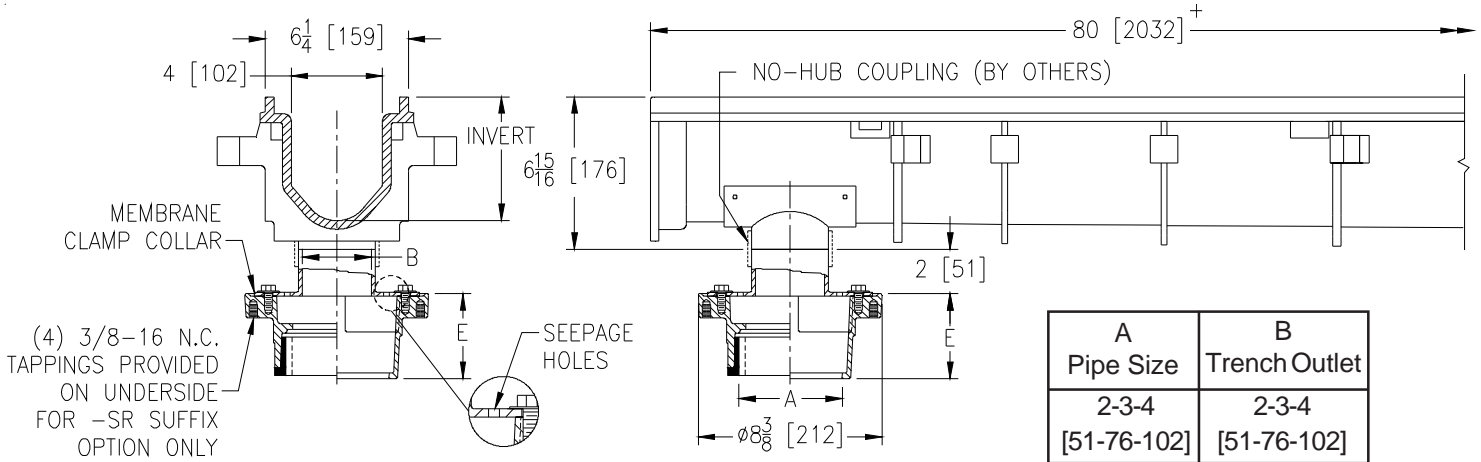
Z886-75

6 [152] WIDE TRENCH DRAIN SYSTEM W/ LOWER DRAIN ASSEMBLY

SPECIFICATION SHEET

TAG _____

Dimensional Data (inches and [mm]) are Subject to Manufacturing Tolerances and Change Without Notice



PIPE SIZE (Lower Body) (Specify size/type) **OUTLET**

2 thru 4 [51 thru 102]	___ IC	Inside Caulk
2 thru 4 [51 thru 102]	___ IG	Inside Gasket
2 [51]	___ P	Threaded
3 [76]	___ P	Threaded
4 [102]	___ P	Threaded
2 thru 4 [51 thru 102]	___ NH	No-Hub
2 thru 4 [51 thru 102]	___ NL	Neo-Loc

'E' BODY HT. DIM.

3-7/8 [98]
3-7/8 [98]
2-3/8 [60]
2-5/8 [67]
2-7/8 [73]
3-7/8 [98]
3-3/4 [95]

ENGINEERING SPECIFICATION: Zurn Z886-75 80 [2032] x 6 [152] x 4 [102] throat (HDPE) High Density Polyethylene Trench Drain System. Trench comes complete with molded clips for rebar positioning and anchoring. 2, 3 or 4 [51, 76 or 102] No-Hub bottom outlet for connection to lower body and 20 [508] long class A, B, C, D, E and F grates. Z415 lower body assembly is Dura-Coated Cast Iron with clamp collar and weep holes.

NO-HUB BOTTOM OUTLET SIZE (Trench)

2 [51] _____	3 [76] _____	4 [102] _____
--------------	--------------	---------------

**** For Invert/slope dimensions see standard Z886 drawing.**

PREFIXES

___ Z High Density Polyethylene (HDPE) Modular Drain Channel w/ D.C.C.I. Grate, Lockdown Hardware & Lower Body Assembly*

SUFFIXES

___ -AA All Acid Resisting Epoxy (Lower Body)	___ -HPB Heel-Proof Slotted Grate (Trench)
___ -AR Acid Resisting Epoxy Coated Cast Iron (Lower Body)	___ -HPD Heel-Proof Longitudinal Ductile Grate (Trench)
___ -BCD Bronze Circular Decorative Grate (Trench)	___ -HPP Heel-Proof Polyethylene Grate (Trench)
___ -BDD Bronze Diagonal Decorative Grate (Trench)	___ -HPS Heel-Proof Stainless Steel Slotted Grate (Trench)
___ -BG Galvanized Ductile Iron Bar Grate (Trench)	___ -JC Joint Connector (Trench)
___ -BZ Bronze Decorative Grate (Trench)	___ -LD Ductile Iron Longitudinal Slotted Grate (Trench)
___ -CG Cast Iron Slotted Grate (Trench)	___ -P Trap Primer Conn. (Specify 1/2 [13] or 3/4 [19]) (Lower Body)
___ -DB Dome Bottom Strainer (Trench)	___ -PG Perforated Galvanized Steel Grate (Trench)
___ -DBG Ductile Iron Cast Bar Grate (Trench)	___ -PS Perforated Stainless Steel Grate (Trench)
___ -DC Ductile Iron Solid Cover (Trench)	___ -RFG Reinforced Galvanized Steel Slotted Grate (Trench)
___ -DCD Ductile Circular Decorative Grate (Trench)	___ -RFS Reinforced Stainless Steel Slotted Grate (Trench)
___ -DDD Ductile Diagonal Decorative Grate (Trench)	___ -RPG Reinforced Galvanized Perforated Grate (Trench)
___ -DGE Ductile Iron Slotted Grate (Trench)	___ -RPS Reinforced Stainless Steel Perforated Grate (Trench)
___ -DOG Ductile Decorative Grate (Trench)	___ -SBG Stainless Steel Bar Grate (Trench)
___ -DWV Ductile Wave Decorative Grate (Trench)	___ -SCD Stainless Steel Circular Decorative Grate (Trench)
___ -E1 Closed End Cap (Trench)	___ -SDD Stainless Steel Diagonal Decorative Grate (Trench)
___ -E2 2 [51] No-Hub End Outlet (Trench)	___ -SFG Stainless Steel Frame and Slotted Grate - Class F (Trench)
___ -E3 3 [76] No-Hub End Outlet (Trench)	___ -SMG Stainless Steel Mesh Grate (Trench)
___ -E4 4 [102] No-Hub End Outlet (Trench)	___ -SOG Stainless Steel Decorative Grate (Trench)
___ -FG Galvanized Steel Slotted Grate (Trench)	___ -SR Stabilizer Ring (Lower Body Assy.)
___ -FGF Ductile Iron Frame and Slotted Grate - Class F (Trench)	___ -SVF Type 304 Stainless Steel Top Veneer Frame (Trench)
___ -FS Fabricated Stainless Steel Slotted Grate (Trench)	___ -SW 9 [229] High Sidewall Extension (Trench)
___ -G Galvanized Cast Iron (Lower Body)	___ -TC Neo-Loc Test Cap Gasket (2-4 [51-102] NL Outlet Only) (Lower Body)
___ -GC Galvanized Cast Iron Grate (Trench)	___ -VP Vandal-Proof Center Lockdown (Trench)
___ -GDE Galvanized Ductile Iron Grate (Trench)	___ -90 90° Threaded Side Outlet Body (2, 3 [51, 76] Only) (Lower Body)
___ -GFG Galvanized Ductile Frame & Slotted Grate - Class F (Trench)	
___ -GG Fiberglass Grate (Trench)	
___ -GMG Galvanized Steel Mesh Grate (Trench)	
___ -H Cast Iron Non-Removable Grate/Frame System - H20/H25 (Trench)	
___ -HH Cast Iron Non-Removable Heel-Proof Grate/Frame System H20/H25 (Trench)	

REV. A	DATE: 6/24/11	C.N. NO. 121488
DWG. NO. P-15292 PRODUCT NO. Z886-75		

*REGULARLY FURNISHED UNLESS OTHERWISE SPECIFIED