



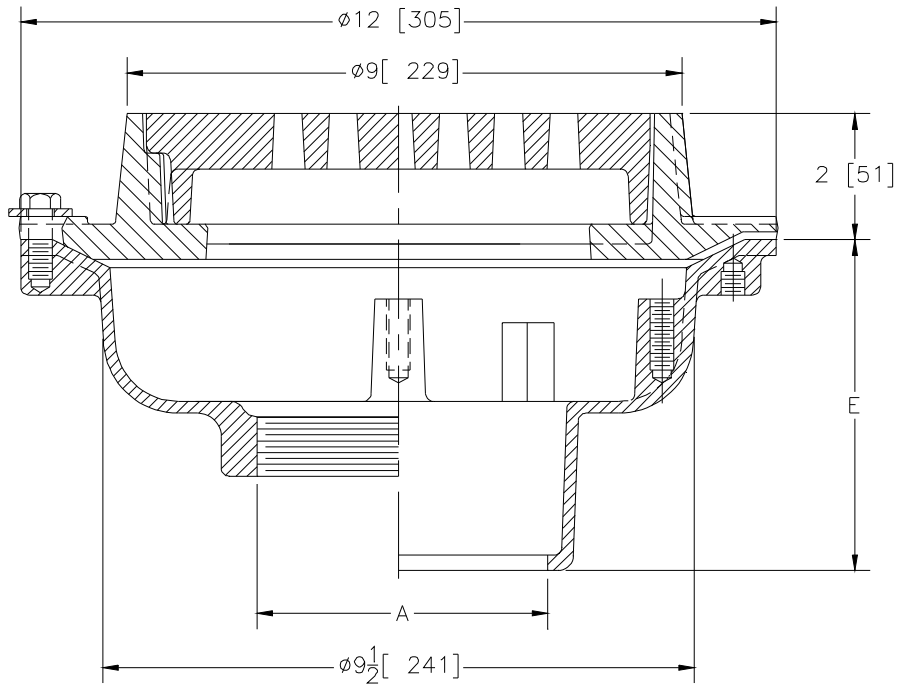
Z-508-83

9" [229] HEAVY DUTY DRAIN

SPECIFICATION SHEET

TAG _____

Dimensional Data (inches and [mm]) are Subject to Manufacturing Tolerances and Change Without Notice



A- Pipe Size In.	Approx. Wt. Lbs. [kg]	Grate Open Area Sq. In. [cm ²]
6 [152]	21 [10]	18 [116]

ENGINEERING SPECIFICATION: ZURN Z-508-83 9[229] Diameter top drain, Dura-Coated cast iron body with bottom outlet, seepage pan and combination membrane flashing clamp and frame for heavy duty cast iron deep flange slotted grate.

OPTIONS (Check/specify appropriate options)

PIPE SIZE

6 [152]
6 [152]

(Specify size/type) **OUTLET**

___ IC Inside Caulk
___ IP Threaded

'E' BODY HT. DIM.

5 1/4 [133]
3 3/4 [95]

PREFIXES

- ___ Z- D.C.C.I. Body and Grate*
- ___ ZB- D.C.C.I. Body with Polished Bronze Grate (Add 3/16 [5] to 2 [51] Dim.)
- ___ ZN- D.C.C.I. Body with Polished Nickel Bronze Grate (Add 3/16 [5] to 2 [51] Dim.)

SUFFIXES

- ___ -AR Acid Resisting Epoxy Coated Cast Iron
- ___ -DG Duresist Grate
- ___ -F Extension Frame
- ___ -G Galvanized Cast Iron
- ___ -P TrapPrimerConnection
- ___ -S Secondary Strainer
- ___ -SC Solid Cover
- ___ -SG Solid Gasketed Cover
- ___ -TS Top Secured With Slotted Screws
- ___ -V Backwater Valve (See Z-1099)
- ___ -VP Vandal Proof Secured Top
- ___ -Y Sediment Bucket
- ___ -90 90° Threaded Side Outlet Body (2 thru 4 [50 thru 100])

REV.	DATE: 12/20/96	C.N. NO. 76857	
DWG. NO. P-14426		PRODUCT NO. Z-508-83	

*REGULARLY FURNISHED UNLESS OTHERWISE SPECIFIED