



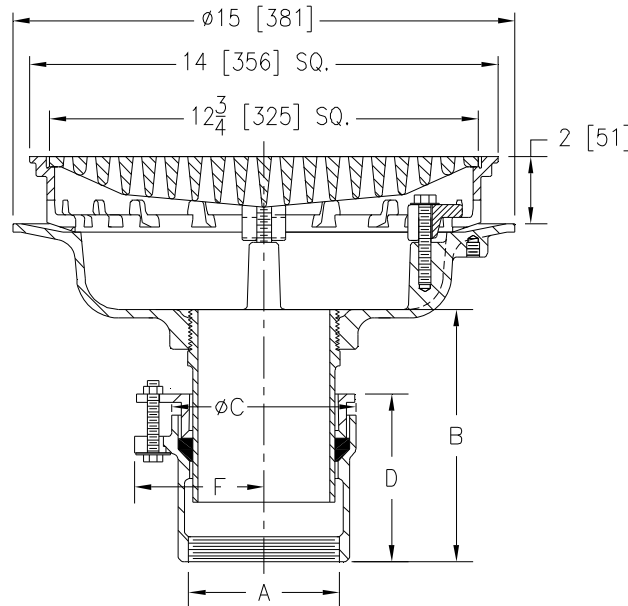
Z150-XJ

14 [356] SQUARE TOP PROM-DECK DRAIN W/ VERTICAL EXPANSION JOINT, HEEL PROOF GRATE, AND ROTATABLE FRAME

SPECIFICATION SHEET

TAG _____

Dimensional Data (inches and [mm]) are Subject to Manufacturing Tolerances and Change Without Notice



Dimensions in inches [mm]						Approx Wt. lbs [kg]	Grate Open Area in ² [cm ²]
A	B		C	D	F		
Pipe Size	Min	Max					
2 [51]	6-1/2 [165]	8-1/2 [216]	3-5/8 [92]	5 [127]	2-3/4 [70]	61 [28]	44 [284]
3 [76]			4-5/8 [117]	5 [127]	3-1/4 [82]	64 [29]	
4 [102]			5-1/2 [140]	4-3/4 [121]	3-3/4 [95]	66 [30]	
6 [152]	6-7/8 [175]	8-5/8 [219]	7-7/8 [200]	5 [127]	5 [127]	78 [35]	
8 [203]	7-7/8 [200]	10-7/8 [276]	9-7/8 [250]	5 [127]	6 [152]	89 [40]	

ENGINEERING SPECIFICATION: ZURN Z150-XJ

14" [356mm] Square Top Prom-Deck drain, Dura-Coated cast iron body with rotatable square promenade frame with seepage openings, heavy-duty heel-proof grate and vertical expansion joint.

OPTIONS (Check/specify appropriate options)

PIPE SIZE

2,3,4,6,8 [51,76,102,152,203]

2,3,4,6,8 [51,76,102,152,203]

(Specify size/type) **OUTLET**

_____ IP Threaded

_____ NH No-Hub

E BODY HT. DIM.

3-3/4 [95]

5-1/4 [133]

PREFIXES

_____ Z D.C.C.I. Body with Top*

_____ ZB D.C.C.I. Body with Polished Bronze Top (Add 3/16 [5] to 2 [51] dim and 3/8 [10] to 14 [356] dim)

_____ ZN D.C.C.I. Body with Polished Nickel Bronze Top (Add 3/16 [5] to 2 [51] dim and 3/8 [10] to 14 [356] dim)

SUFFIXES

_____ -AR Acid Resistant Epoxy Coated

_____ -C Underdeck Clamp

_____ -DE Deck Extension (Includes Deck Plate -DP)

_____ -DG Duresist Grate

_____ -DP Top-Set® Roof Deck Plate
(Replaces both -C and -R)

_____ -DR Top-Set® Drain Riser

_____ -DT Decorative Polished Top (ZN and ZB Only)

_____ -E Static Extension 1 [25] thru 4 [102] (Specify Ht.)

_____ -EA Adjustable Extension Assembly
2-1/8 [54] thru 3-1/2 [89]

_____ -EB Top-Set® Adjustable Extension Assembly

_____ -G Galvanized Cast Iron

_____ -R Roof Sump Receiver

_____ -S Secondary Strainer

_____ -SC Secondary Clamping Collar

_____ -TS Top Secured with Slotted Screws

_____ -VP Vandal Proof Secured Top

_____ -Y Sediment Bucket

_____ -85 Stainless Steel Perforated Extension

* Regularly furnished unless otherwise specified.

Zurn Industries, LLC | Specification Drainage Operation
1801 Pittsburgh Avenue, Erie, PA U.S.A. 16502 · Ph. 855-663-9876, Fax 814-454-7929

In Canada | Zurn Industries Limited
3544 Nashua Drive, Mississauga, Ontario L4V 1L2 · Ph. 905-405-8272, Fax 905-405-1292

www.zurn.com

Rev. B
Date: 10/4/2017
C.N. No. 138397
Prod. | Dwg. No. Z150-XJ