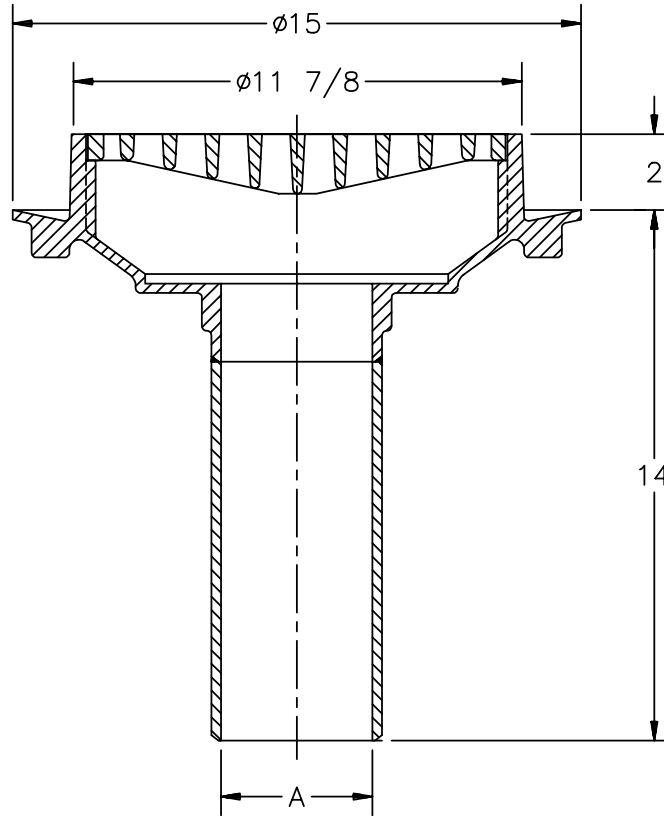




Z-1735-76
12" DIAMETER FLOOR DRAIN

TAG _____

Dimensional Data (inches and [mm]) are Subject to Manufacturing Tolerances and Change Without Notice



A- Pipe Size In.	Approx. Wt. Lbs.	Grate Open Area Sq. In.
3-4	50	50
6	54	

ENGINEERING SPECIFICATION: ZURN Z-1735-76
 12" Diameter heavy duty floor drain, All Type 304 (CF8) stainless steel body with integral anchor flange, and pipe extension, non-tilt grate with plain finish.

OPTIONS (Check/specify appropriate options)

OUTLET (Specify type)

_____ **BW** Buttweld
 (Specify Schedule 10,40 or 80)

PIPE SIZE (Specify size)

_____ 3",4",6"

PREFIXES

_____ **Z-** Type 304 (CF8) Stainless Steel*
 _____ **ZC-** Type A-27 Carbon Steel
 _____ **ZM-** Type 306 (CF8M) Stainless Steel

SUFFIXES

_____ **-K** Seepage Holes Only
 _____ **-KC** Clamp Collar with Seepage Holes
 _____ **-SF** Satin Finish Top
 _____ **-VP** Vandal Proof Secured Top
 _____ **-30** Bronze Closure Plug
 _____ **-31** Plastic Closure Plug
 _____ **-32** Type 304 (CF8) Stainless Steel Closure Plug
 _____ **-34** Bronze Closure Plug with 3/4" Test Plug

REV.	DATE: 10/16/92	C.N. NO. 68628
DWG. NO. P-13762 PRODUCT NO. Z-1735-76		

*REGULARLY FURNISHED UNLESS OTHERWISE SPECIFIED