



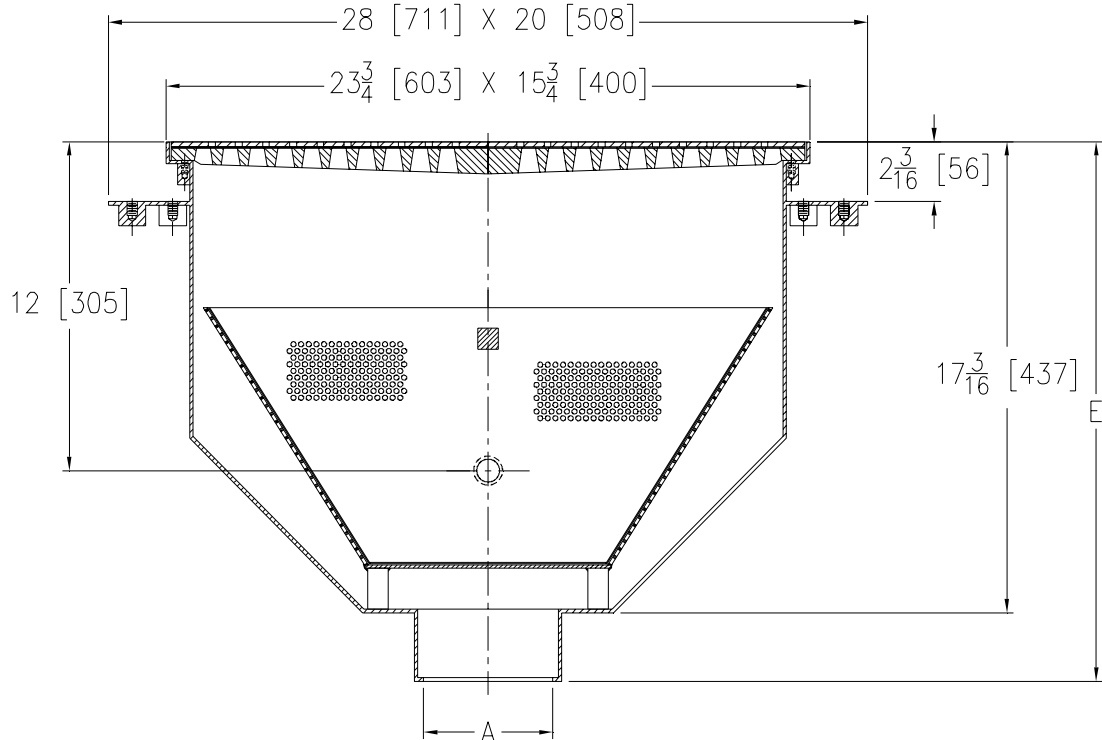
Z1995-86

SPECIFICATION SHEET

24 X 16 [610 X 406] A.R.C. SANI-FLOR RECEPTOR 17 [432] SUMP DEPTH W/ STAINLESS STEEL VENEER AND TRAP PRIMER

TAG _____

Dimensional Data (inches and [mm]) are Subject to Manufacturing Tolerances and Change Without Notice



A- Pipe Size In.	Approx Wt. Lbs. [kg]	Grate Open Area Sq. In. [cm ²]
3-4-6 [76-102-152]	275 [125]	35 [226]

ENGINEERING SPECIFICATION: ZURN ZS1995-86 Sani-Flor Receptor 24 x 16 x 17 [610 x 406 x 432] deep fabricated steel body with integral anchor flange, and 1/2 [13] trap primer connection, and acid resistant coated cast iron heavy duty grate, with heel proof stainless steel veneer attached to the cast iron grate with stainless steel screws and white A.R.C. bucket with stainless steel mesh liner.

OPTIONS (Check/specify appropriate options)

PIPE SIZE

- 3-4-6 [76-102-152]
- 3-4-6 [76-102-152]

(Specify size/type) **OUTLET**

- _____ IC Inside Caulk
- _____ NH No-Hub

'E' BODY HT. DIMENSION

ZS

- 20 [508]
- 19 [483]

PREFIXES

- _____ ZS Acid Resistant Coated Fabricated Steel Body with White A.R.C. Interior and Stainless Steel Top*

SUFFIXES

- _____ -KC Anchor Flange with Seepage Holes and Clamp Collar
- _____ -2 1/2 Grate
- _____ -3 3/4 Grate
- _____ -4 Full Grate with Square Center Opening

*REGULARLY FURNISHED UNLESS OTHERWISE SPECIFIED

REV. B	DATE: 7/10/08	C.N. NO. 98750
DWG. NO. P-15560 PRODUCT NO. Z1995-86		

ZURN INDUSTRIES, LLC. ♦ SPECIFICATION DRAINAGE OPERATION ♦ 1801 Pittsburgh Ave. ♦ Erie, PA 16514

Phone: 814/455-0921 ♦ Fax: 814/454-7929 ♦ World Wide Web: www.zurn.com

In Canada: ZURN INDUSTRIES LIMITED ♦ 3544 Nashua Drive ♦ Mississauga, Ontario L4V1L2 ♦ Phone: 905/405-8272 Fax: 905/405-1292