



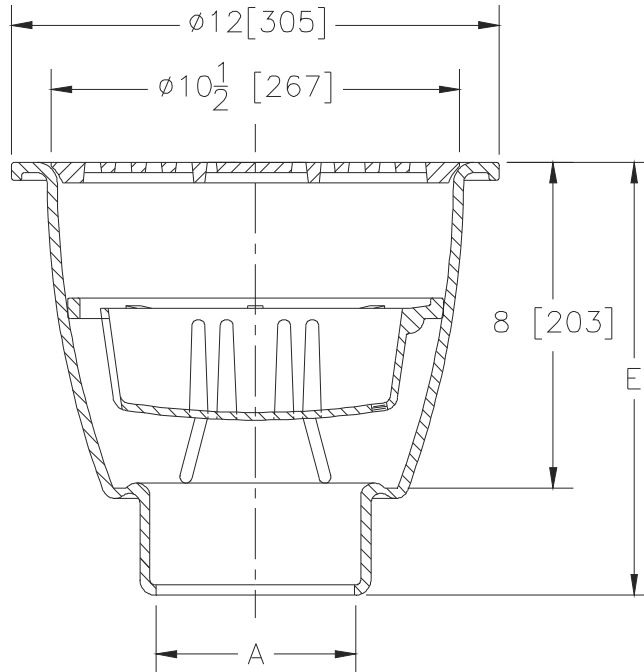
# Z1950-25

12 [305] DIAMETER A.R.E. SANI-FLOR RECEPTOR  
8 [203] SUMP DEPTH W/ WHITE A.R.C. BUCKET

SPECIFICATION SHEET

TAG \_\_\_\_\_

Dimensional Data (inches and [ mm ]) are Subject to Manufacturing Tolerances and Change Without Notice



A- Pipe Size In. [mm]	Approx Wt. Lbs. [kg]	Grate Open Area Sq. In. [cm <sup>2</sup> ]
2, 3, 4 [51, 76, 102]	39 [17]	22 [142]

### ENGINEERING SPECIFICATION: ZURN Z1950-25

Sani-Flor Receptor 12" [305mm] Diameter x 8" [203mm] deep cast iron body and round slotted light duty grate, with white acid resisting porcelain enamel interior and top, black ground enamel exterior coating, and white A.R.C. bucket.

**OPTIONS** (Check/specify appropriate options)

#### PIPE SIZE

3, 4 [76, 102]  
2, 3, 4 [51, 76, 102]  
2, 3, 4 [51, 76, 102]

(Specify size/type) **OUTLET**

\_\_\_ IC Inside Caulk  
\_\_\_ NH No-Hub  
\_\_\_ NL Neo-Loc

**'E' BODY HT. DIMENSION**

Z	ZN
10-5/8 [270]	11 [279]
10-5/8 [270]	11 [279]
10 [254]	10-3/8 [264]

#### PREFIXES

\_\_\_ Z Cast Iron Body with White A.R.E. Interior\*  
\_\_\_ ZN Cast Iron Body with White A.R.E. Interior, 12-1/2 [321] N.B. Frame and Full Grate with 1/4 [6] Square Openings

#### SUFFIXES

___ -K Anchor Flange With Seepage Holes	___ -4 Full Grate With 2 [51] Square Opening
___ -KC Anchor Flange w/ Seepage Holes and Clamping Collar	___ -6 Grate w/6 [152] dia. x 6 [152] High Funnel
___ -LD (Less) Internal Bottom Dome Strainer	___ -8 Grate w/8-7/8 x 3-5/8 x 3-3/4 [225 x 92 x 95] High Oval Funnel
___ -P 1/2 [13] Threaded Trap Primer Connection (See Z-1023)	___ -11 Vandal Proof Secured Grate
___ -TC Neo-Loc Test Cap Gasket (2, 3, 4 [51, 76, 102] NL Bottom Outlet Only)	___ -15 Solid Loose Set Cover
___ -1 (Less) Grate	___ -31 Stainless Steel Mesh Liner for Bucket
___ -2 1/2 Grate	
___ -3 3/4 Grate	

\* Regularly furnished unless otherwise specified.

Zurn Industries, LLC | Specification Drainage Operation  
1801 Pittsburgh Avenue, Erie, PA U.S.A. 16502 · Ph. 855-663-9876, Fax 814-454-7929  
In Canada | Zurn Industries Limited  
3544 Nashua Drive, Mississauga, Ontario L4V 1L2 · Ph. 905-405-8272, Fax 905-405-1292  
[www.zurn.com](http://www.zurn.com)

Rev. A  
Date: 10/16/2017  
C.N. No. 138849  
Prod. | Dwg. No. Z1950-25