



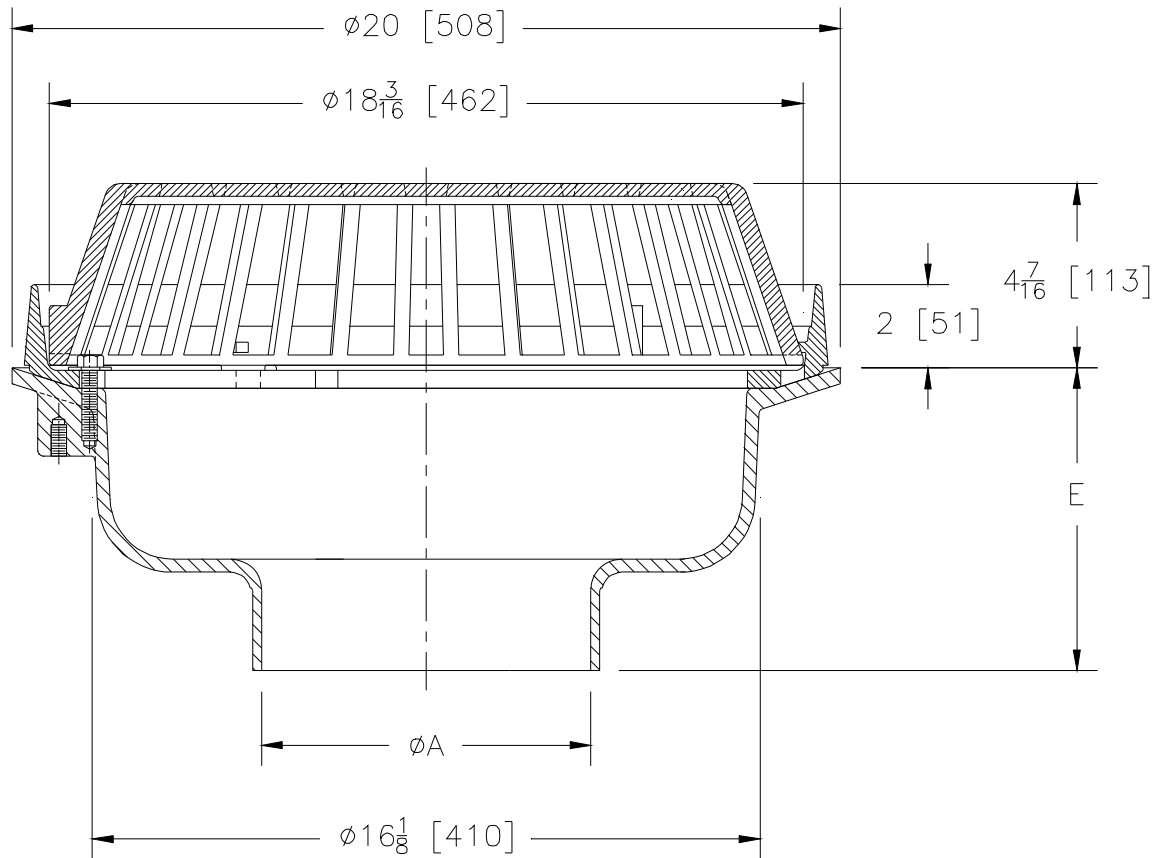
Z101-89

20 [508] DIAMETER MAIN ROOF DRAIN WITH 2 [51] EXTERNAL WATER DAM

SPECIFICATION SHEET

TAG _____

Dimensional Data (inches and [mm]) are Subject to Manufacturing Tolerances and Change Without Notice



A- Pipe Size In. [mm]	Approx. Wt. Lbs. [kg]	Dome Open Area Sq. In. [cm ²]
8 [203]	85 [39]	216 [1394]
10 [254]	86 [39]	
12 [305]	87 [39]	

ENGINEERING SPECIFICATION: ZURN Z101-89
 20" [508mm] Diameter roof drain. Dura-Coated cast iron body, clamping collar with 2" [51mm] high external water dam, and low silhouette dome.

PIPE SIZE

8, 10, 12 [203, 254, 305]

(Specify size/type) **OUTLET**

_____ NH No-Hub

E BODY HT. DIM.

7-5/16 [185]

PREFIXES

_____ Z D.C.C.I. Body with Cast Iron Dome*

SUFFIXES

- _____ -AR Acid Resistant Epoxy Coated
- _____ -C Underdeck Clamp
- _____ -DP Top-Set® Deck Plate (Replaces both the -C and -R)
- _____ -E Static Extension 1 [25] thru 4 [102] (Specify Height)
- _____ -EB Top-Set® Adjustable Extension Assembly
- _____ -G Galvanized Cast Iron
- _____ -R Roof Sump Receiver

* Regularly furnished unless otherwise specified.