



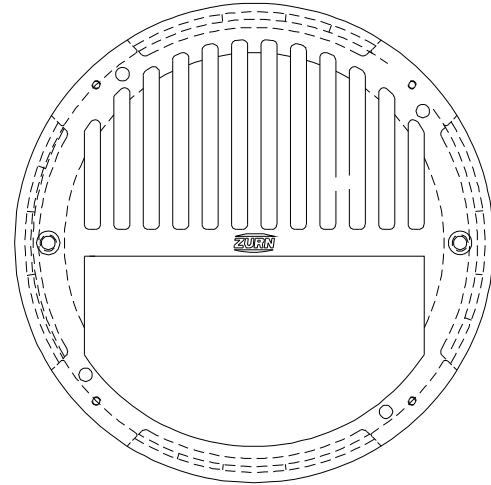
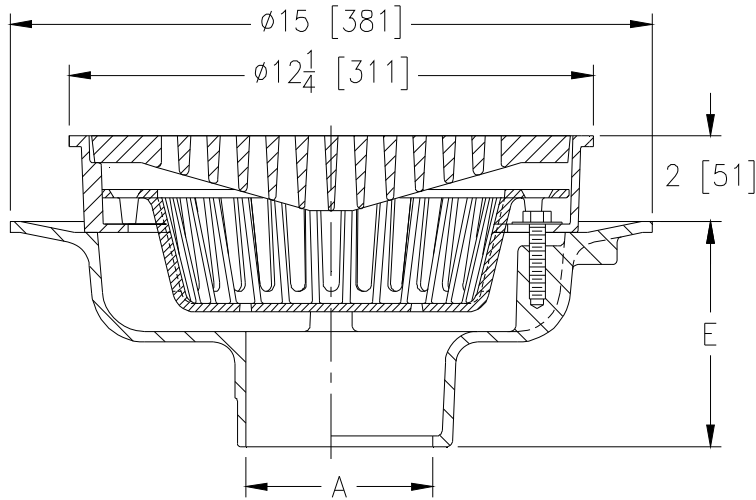
# Z541-132

12 [305] DIAMETER A.R.C. COATED  
DRAIN W/ HALF GRATE

SPECIFICATION SHEET

TAG \_\_\_\_\_

Dimensional Data (inches and [ mm ]) are Subject to Manufacturing Tolerances and Change Without Notice



GRATE TOP VIEW

A- Pipe Size In.	Approx. Wt. Lbs. [kg]	Grate Open Area Sq. In. [cm <sup>2</sup> ]
2-3-4 [51-76-102]	51 [19]	30 [194]
5-6 [127-152]	52 [19]	
8-10 [203-254]	53 [20]	

**ENGINEERING SPECIFICATION: ZURN Z541-132**

12 [305] Diameter top drain. A.R.C Coated cast iron body with bottom outlet, seepage pan and combination membrane flashing clamp and frame for custom half grate with suspended polypropylene sediment bucket.

**OPTIONS** (Check/specify appropriate options)

**PIPE SIZE**

- 2-3-4-5-6-8-10 [51-76-102-152-203-254]
- 2-3-4-6 [51-76-102-152]
- 2-3-4-5-6-8-10 [51-76-102-152-203-254]
- 2-3-4-5-6-8-10 [51-76-102-152-203-254]
- 2-3-4 [51-76-102]

(Specify size/type) **OUTLET**

- \_\_\_ IC Inside Caulk
- \_\_\_ IG Inside Gasket
- \_\_\_ IP Threaded
- \_\_\_ NH No-Hub
- \_\_\_ NL Neo-Loc

**'E' BODY HT. DIM.**

- 5-1/4 [133]
- 5-1/4 [133]
- 3-3/4 [95]
- 5-1/4 [133]
- 4-5/8 [117]

**PREFIXES**

- \_\_\_ Z A.R.C. Body and Top\*

**SUFFIXES**

- \_\_\_ -DG Duresist Grate
- \_\_\_ -DX Dex-o-tex Flange
- \_\_\_ -LY (Less) Sediment Bucket
- \_\_\_ -P Trap Primer Connection
- \_\_\_ -S Secondary Strainer
- \_\_\_ -SA Stabilizer Assembly (See Z1036)
- \_\_\_ -SS Stainless Mesh Liner for Bucket
- \_\_\_ -TC Neo-Loc Test Cap Gasket  
(2 [51] - 4 [102] NL Bottom Outlet Only)
- \_\_\_ -V Backwater Valve (See Z1099)
- \_\_\_ -YC Cast Iron Sediment Bucket
- \_\_\_ -90 90° Threaded Side Outlet Body  
(2 thru 6 [51 thru 152])

\* Regularly furnished unless otherwise specified.