

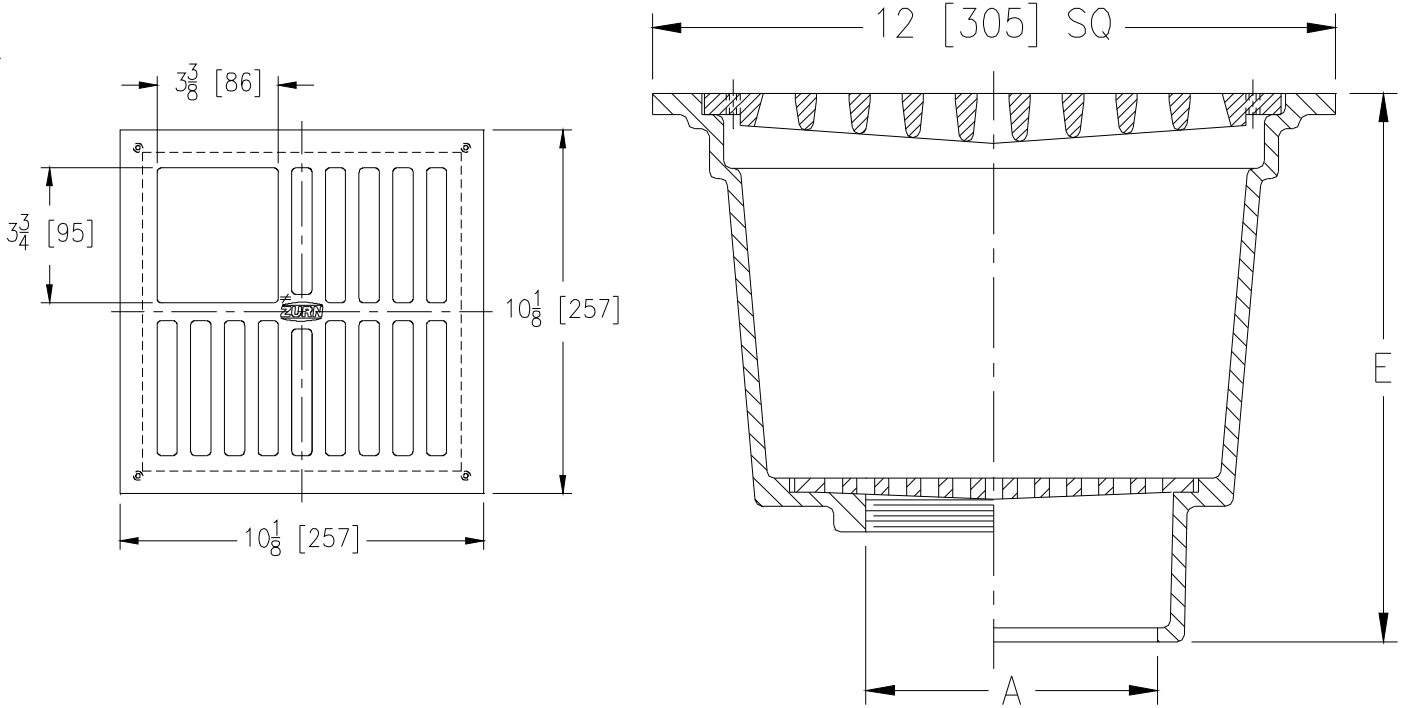


Z566-86
12 [305] SQUARE TOP DRAIN
W/ 3/4 GRATE

SPECIFICATION SHEET

TAG _____

Dimensional Data (inches and [mm]) are Subject to Manufacturing Tolerances and Change Without Notice



A - Pipe Size Inches	Approx. Wt. Lbs. [kg]	Grate Open Area Sq. In. [cm ²]
2-3-4 [51-76-102]	50 [23]	42 [270]

ENGINEERING SPECIFICATION: ZURN Z566-86
 12 [305] Square top drain, Dura-Coated cast iron body with bottom outlet, loose set cast iron secondary strainer, and 3/4 cast iron grate.

OPTIONS (Check/specify appropriate options)

PIPE SIZE

- 2, 3, 4 [51, 76, 102]
- 2, 3, 4 [51, 76, 102]
- 3, 4 [76, 102]
- 2, 3, 4 [51, 76, 102]

(Specify size/type) **OUTLET**

- ___ IC Inside Caulk
- ___ IG Inside Caulk w/Sealtrol Gskt.
- ___ IP Threaded
- ___ NL Neo-Loc

'E' BODY HT. DIM.

- 9 5/8 [244]
- 9 5/8 [244]
- 7 5/8 [194]
- 9 [229]

PREFIXES

- ___ Z D.C.C.I. Body and Top*
- ___ ZB D.C.C.I. Body with Polished Bronze Top (Add 3/16 [5] to 'E' Dim.)
- ___ ZN D.C.C.I. Body with Polished Nickel Bronze Top (Add 3/16 [5] to 'E' Dim.)

SUFFIXES

- ___ -AR Acid Resisting Epoxy Coated Cast Iron
- ___ -BT Bell Trap Bucket
- ___ -G Galvanized Cast Iron
- ___ -TC Neo-Loc Test Cap Gasket
(2 [51] - 4 [102] NL Bottom Outlet Only)
- ___ -Y Sediment Bucket

REV. -	DATE: 5/5/10	C.N. NO. 111088
DWG. NO. 300317	PRODUCT NO. Z566-86	

*REGULARLY FURNISHED UNLESS OTHERWISE SPECIFIED