



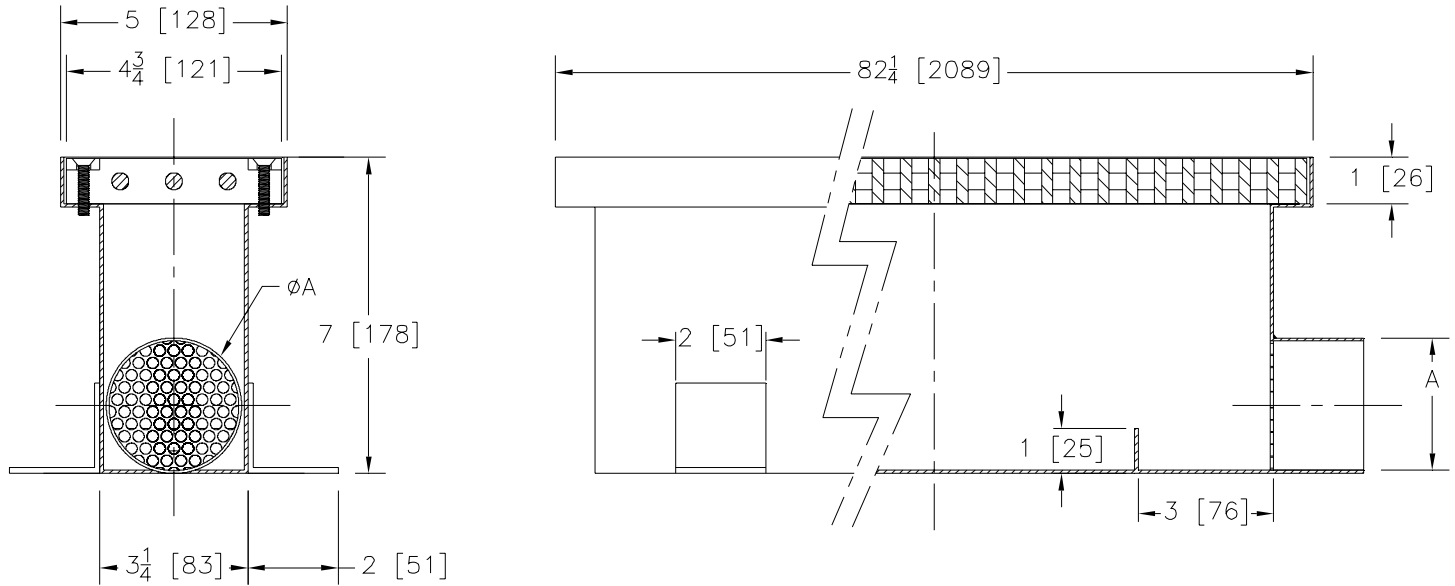
Z1761-78

5 [128] X 82 1/4 [2089] DRAIN W/ 7 [203] SUMP DEPTH, SIDE OUTLET, AND HEEL-PROOF BAR GRATE

SPECIFICATION SHEET

TAG _____

Dimensional Data (inches and [mm]) are Subject to Manufacturing Tolerances and Change Without Notice



A Pipe Size In.	Approx. Wt. Lbs. [kg]	Grate Open Area Sq. In. [cm ²]
3 [76]	250 [113]	315 [2032]

ENGINEERING SPECIFICATION: ZURN Z1761-77

5 [128] x 82 1/4 [2089] x 7 [203] deep, 14 gage, Type 304 Stainless Steel drain with four anchor feet, sediment baffle and screen, and medium duty vandal proof lockdown (4 per grate) Heel-Proof bar grates.

OPTIONS (Check/specify appropriate options)

PIPE SIZE

3 [76]

(Specify size) **OUTLET**

____ NH No-Hub

PREFIXES

____ Z Type 304 (CF8) Stainless Steel Body and Grate

REV.	DATE: 7/5/07	C.N. NO. 96515
DWG. NO. P-15412		PRODUCT NO. Z1761-78

*REGULARLY FURNISHED UNLESS OTHERWISE SPECIFIED

ZURN INDUSTRIES, LLC. ♦ SPECIFICATION DRAINAGE OPERATION ♦ 1801 Pittsburgh Ave. ♦ Erie, PA 16514
Phone: 814/455-0921 ♦ Fax: 814/454-7929 ♦ World Wide Web: www.zurn.com

In Canada: ZURN INDUSTRIES LIMITED ♦ 3544 Nashua Drive ♦ Mississauga, Ontario L4V1L2 ♦ Phone: 905/405-8272 Fax: 905/405-1292