



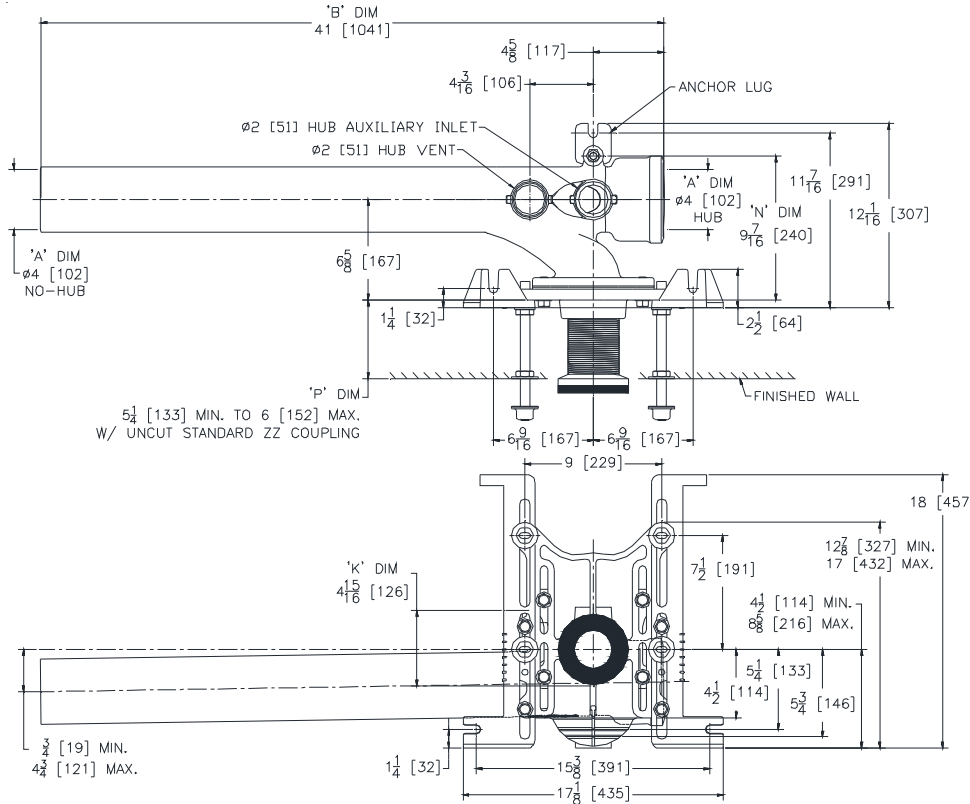
ZE1201-H_4-78

ELONGATED BARREL FITTING 41 [1042] EZCARRY® ADJUSTABLE HORIZONTAL HIGH PERFORMANCE SIPHON JET HUB AND SPIGOT WATER CLOSET CARRIER SYSTEM W/ 2 [51] HUB AUXILIARY INLET

SPECIFICATION SHEET

TAG _____

Dimensional Data (inches and [mm]) are Subject to Manufacturing Tolerances and Change Without Notice



ZE1201-HR4-78 Illustrated

Product Number	Approx. Wt. lbs [kg]
ZE1201-HL4-78	99 [45]
ZE1201-HR4-78	

Note:

1. Z coupling, Min. 'P' Dim. Obtainable=2 [51]. EZ-Set™ Coupling, Min. 'P' Dim. Obtainable=4-1/4 [108] or 2-1/16 [52] for 12 [305] NPT.
2. Feet bolted to floor using min. 1/2 [13] dia. anchors.
3. Rear anchor foot required for secure installation.



ENGINEERING SPECIFICATION: ZURN ZE1201-H_4-78

EZCarry® horizontal siphon jet water closet carrier system, with high performance Dura-Coated cast iron main fitting with hydromechanically optimized sweeps, 4" [102mm] hub & spigot connections, 38" [965mm] barrel for stall to stall direct connection, extended 2" [51mm] vent and 2" [51mm] auxiliary inlet with sanitary sweep. Corrosion resistant, adjustable 3" [76mm] diameter X 6" [152mm] coupling with integral test cap, designed to increase flow velocity and line carry, and labor saving "Neo-Seal" bonded gasket optimizes flow performance while reducing installation steps. Complete system includes an adjustable, gasketed faceplate; floor mounted pre-fab slotted foot supports with top anchoring pre-fab support base; heavy-duty 1/2" [13mm] rear anchor tie down; fixture bolts, trim, and stud protectors. EZCarry® narrow wall system complies with all applicable requirements of ASME A112.6.1M up to a 500 lbs [227kg] maximum static load.

OPTIONS (Check/specify appropriate options)

- ___ ZE1201-HL4-78 4 [102] Hub & Spigot, Elongated Left Hand Inlet with Flow to Right
- ___ ZE1201-HR4-78 4 [102] Hub & Spigot, Elongated Right Hand Inlet with Flow to Left

PREFIXES

- ___ ZE D.C.C.I. System with Zurn ZZ Adjustable Coupling*
- ___ ZQE D.C.C.I. System with NPT Faceplate, Non-Adjustable Coupling

SUFFIXES

- | | |
|---|---|
| ___ -A Auxiliary Support Assembly (For 'P' Dim. Greater than 18 [457]) | ___ -F Floor Mounted, Back Outlet Fixture Support |
| ___ -CC Corrosion Resistant Cast Iron Coupling (2-1/4 to 12 [57 to 305]) | ___ -G Galvanized Cast Iron |
| ___ -CE EZ-Set™ Coupling (NPSM 6 [152], 12 [305] or custom) (NPT 12 [305] or custom) | ___ -M Auxiliary Foot Support (for 'P' Dim. 7 thru 18 [178 thru 457]) |
| ___ -CL Custom Length Standard Coupling with Integral Test Cap (Specify Length 4, 8, 10, 12 [102, 203, 254, 305]) | ___ -RYK17 One Piece Unistrut Pre-Fab Foot |
| ___ -CS 2-1/4 [57] Polymer Coupling with Integral Test Cap (ZZ Coupling Only) | ___ -VP Vandal-Proof Trim |
| | ___ -45 Finishing Frame for Siphon Jet System |
| | ___ -50 Flush Valve Supply Support for Water Closets |

* Regularly furnished unless otherwise specified.

Zurn Industries, LLC | Specification Drainage Operation
 1801 Pittsburgh Avenue, Erie, PA U.S.A. 16502 · Ph. 855-663-9876, Fax 814-454-7929
 In Canada | Zurn Industries Limited
 3544 Nashua Drive, Mississauga, Ontario L4V 1L2 · Ph. 905-405-8272, Fax 905-405-1292
www.zurn.com

Rev. -
 Date: 2/20/18
 C.N. No. 139651
 Prod. | Dwg. No. ZE1201-H_4-78