



ZN1202-N4-JL

NARROW WALL WITH 8-13/16 [224] FRONT TO BACK
 EZCARRY® ADJUSTABLE VERTICAL HIGH PERFORMANCE
 SIPHON JET NO-HUB WATER CLOSET CARRIER SYSTEM W/ 2
 [51] LEFT AUXILIARY INLET

SPECIFICATION SHEET

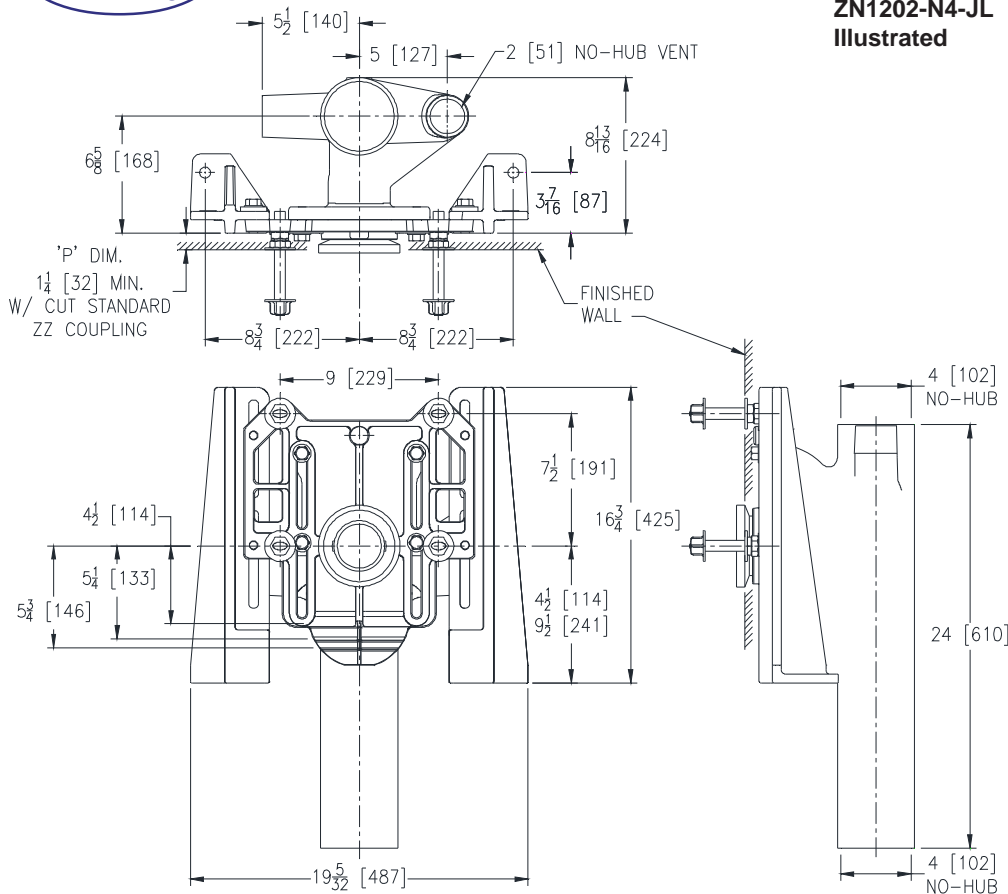
TAG _____

**PATENT
 PENDING**

Dimensional Data (inches and [mm]) are Subject to Manufacturing Tolerances and Change Without Notice

**ZN1202-N4-JL
 Illustrated**

Product Number	Approx. Wt. lbs [kg]
ZN1202-N4-JL	90 [41]



Note:

1. Cut ZZ Coupling, Min. 'P' Dim. Obtainable = 1-1/4 [32]
2. Carrier floor anchors must each be able to withstand a pull-out force of 1741 lbs [790 kg].
3. Pull-out forces are calculated values with standard coupling assembly. No safety factor has been applied. See Form #C38 for more information.
4. 2 [51] No-Hub vent connection regularly furnished on right hand side. Left hand available when specified (Suffix -VL)

ENGINEERING SPECIFICATION: ZURN ZN1202-N4-JL

EZCarry® Narrow Wall vertical siphon jet water closet carrier system, with high performance Dura-Coated cast iron main fitting with hydro-mechanically optimized sweep, 4" [102 mm] no-hub connections, extended 2" [51 mm] vent, and 2" [51] left auxiliary inlet. Corrosion resistant, adjustable 3" [76 mm] dia. X 6" [152 mm] coupling with integral test cap, designed to increase flow velocity and line carry, and labor saving "Neo-Seal" bonded gasket optimizes flow performance while reducing installation steps. Complete system includes an adjustable, gasketed faceplate; floor mounted foot supports; fixture bolts, trim, and stud protectors. EZCarry® narrow wall system complies with all applicable requirements of ASME A112.6.1M up to a 500 lbs [227 kg] maximum static load.

OPTIONS (Check/specify appropriate options)

____ ZN1202-N4 4 [102] No-Hub Stack, Single Inlet, 2 [51] Right Hand Vent

PREFIXES

____ Z D.C.C.I. System with Zurn ZZ Adjustable Coupling*

SUFFIXES

- ____ -CC Corrosion Resistant Cast Iron Coupling (2-1/4 to 12 [57 to 305])
- ____ -CS 2-1/4 [57] Polymer Coupling with Integral Test Cap
- ____ -G Galvanized Cast Iron
- ____ -VL Left Hand Vent Connection
- ____ -VP Vandal-Proof Trim
- ____ -50 Flush Valve Supply Support for Water Closets

* Regularly furnished unless otherwise specified.