

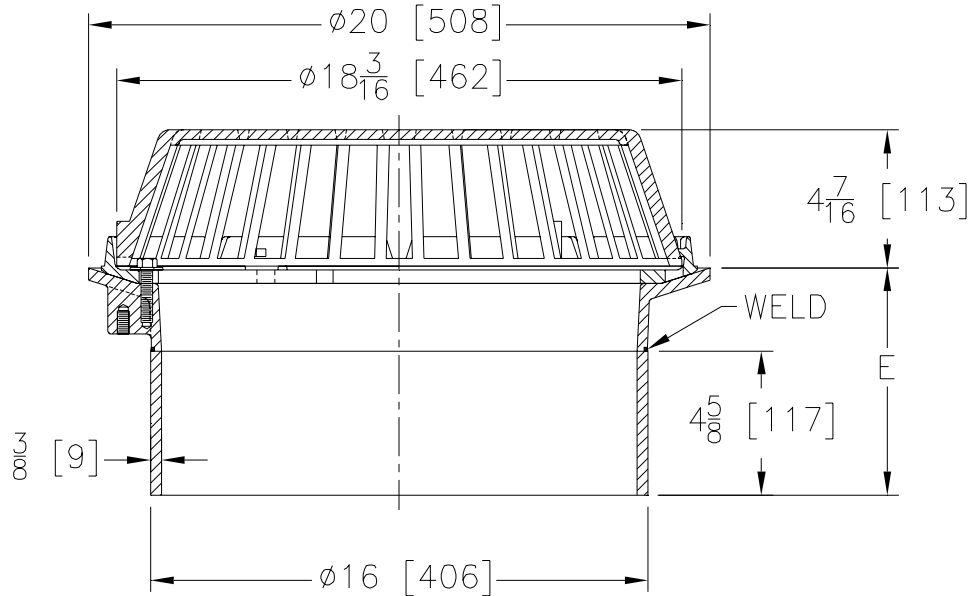


Z101-79
20 [508] DIAMETER MAIN ROOF DRAIN
LOW SILHOUETTE DOME W/ 16 [406] OUTLET

SPECIFICATION SHEET

TAG _____

Dimensional Data (inches and [mm]) are Subject to Manufacturing Tolerances and Change Without Notice



A- Pipe Size In.	Approx. Wt. Lbs. [kg]	Dome Open Area Sq. In. [cm ²]
16 [406]	80 [36]	216 [1394]

ENGINEERING SPECIFICATION: ZURN Z101-79
 20 [508] Diameter roof drain. Dura-Coated cast iron body with combination membrane flashing clamp/gravel guard and low silhouette dome with 16 [406] steel rolled outlet welded on.

OPTIONS (Check/specify appropriate option)

PIPE SIZE
 16 [406]

(Specify size) **OUTLET**
 _____ NH No-Hub

'E' BODY HT. DIM.
 7 5/16 [185]

PREFIXES

_____ Z D.C.C.I. Body with Cast Iron Dome*

SUFFIXES

- _____ -AR Acid Resistant Epoxy Coated
- _____ -DP Top-Set® Roof Deck Plate (Replaces both the -C and -R)
- _____ -E Static Extension 1 [25] thru 4 [102] (Specify Height)
- _____ -EB Top-Set® Adjustable Extension Assembly
- _____ -G Galvanized Cast Iron
- _____ -W2 2 [51] Internal Water Dam
- _____ -W3 3 [76] Internal Water Dam
- _____ -W4 4 [102] Internal Water Dam
- _____ -89 2 [51] High External Water Dam

REV.	DATE: 2/8/07	C.N. NO. 96176
DWG. NO. P-15378 PRODUCT NO. Z101-79		