



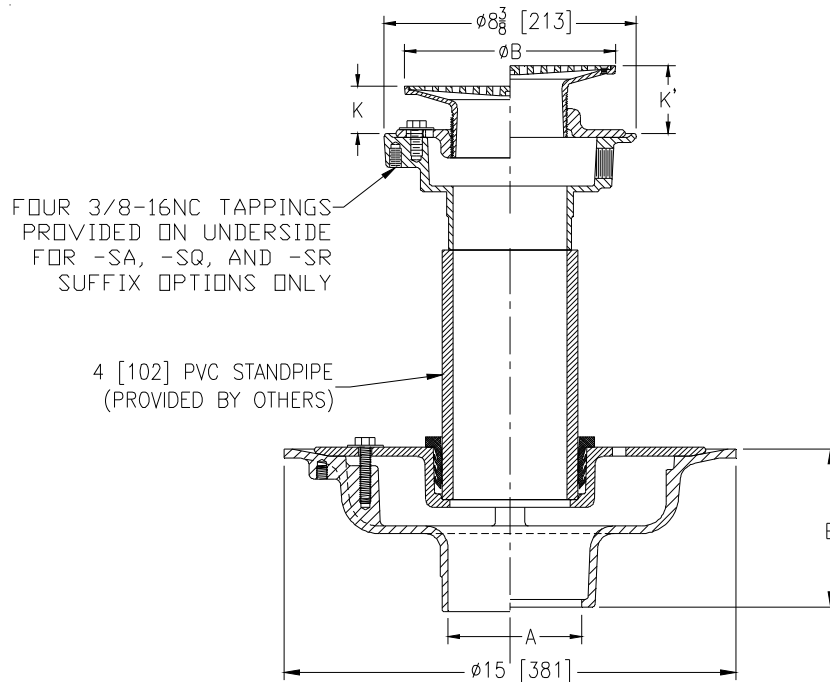
Z624-130

ISOLATION DECK DRAIN WITH Z415B UPPER DRAIN ASSEMBLY

SPECIFICATION SHEET

TAG _____

Dimensional Data (inches and [mm]) are Subject to Manufacturing Tolerances and Change Without Notice



Dimensions in Inches [mm]						Approx. Wt. Lbs. [kg]	Strainer Open Area Sq. In. [cm ²]
A - Pipe Size	B - Strainer Diameter	K		K'			
		Min.	Max.	Min.	Max.		
4 [102]	6 [152]	1 [25]	1-25/32 [45]	1-13/32 [36]	2-17/32 [64]	56 [25]	9 [58]
	7 [178]		2-1/8 [54]	1-23/32 [44]	2-7/8 [73]		12 [77]
	8 [203]	1-5/32 [30]		1-3/4 [44]			19 [123]

ENGINEERING SPECIFICATION: ZURN Z624-130

Floating slab drain, Dura-Coated cast iron upper and lower bodies, clamp collar with weep holes, neoprene flex gasket, isolation nipple, combination membrane flashing clamp, and adjustable 6" [152mm] diameter nickel bronze strainer.

OPTIONS (Check/specify appropriate options)

PIPE SIZE

2,3,4,6 [51,76,102,152]

2,3,4 [51,76,102]

(Specify size/type) OUTLET

___ NH No-Hub

___ NL Neo-Loc

'E' BODY HT. DIM.

5-1/4 [133]

4-5/8 [117]

PREFIXES

___ ZB D.C.C.I. Body with Polished Bronze Top

___ ZN D.C.C.I. Body with Polished Nickel Bronze Top*

SUFFIXES

___ -C Underdeck Clamp (Lower Body)

___ -DP Top-Set® Deck Plate (Replaces both the -C and -R)

___ -DX Dex-O-Tex Flange (Upper Body)

___ -G Galvanized Cast Iron

___ -LH Less Weep Holes in Clamp Collar

___ -R Sump Receiver (Lower Body)

___ -VP Vandal-Proof Secured Top

* Regularly furnished unless otherwise specified.