



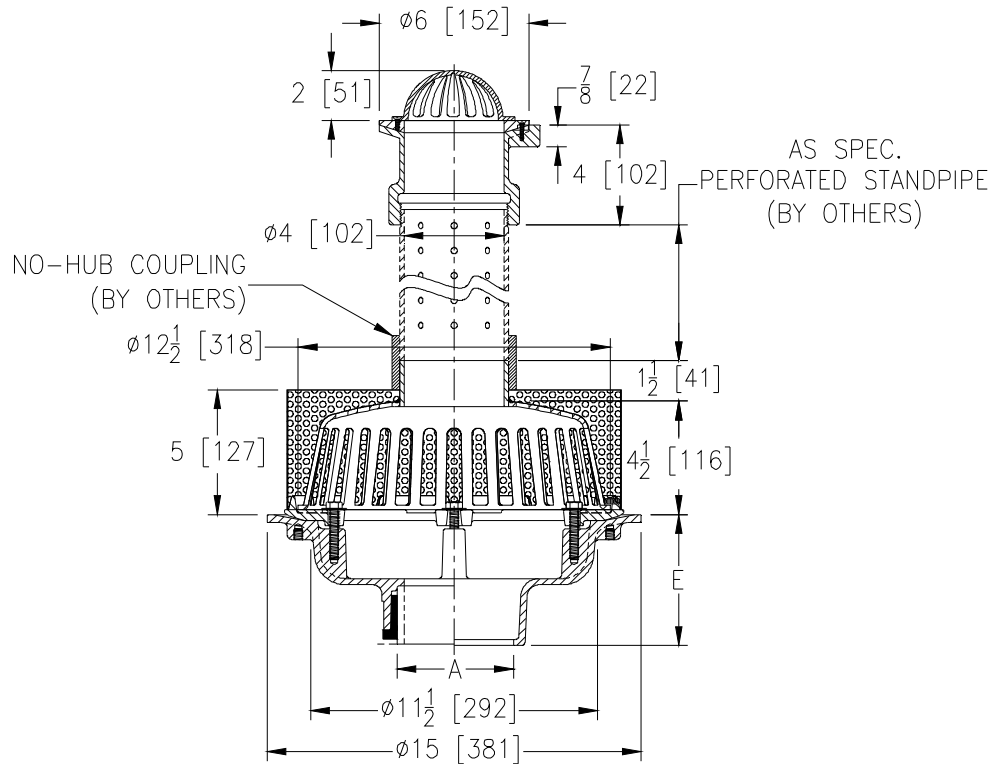
Z100-284

15 [381] DIAMETER ROOF DRAIN W/ SECURED DOME WITH 4 [102] NO-HUB STANDPIPE, PERFORATED STAINLESS STEEL OVER DOME SCREEN ASSEMBLY, AND Z181 UPPER DRAIN

SPECIFICATION SHEET

TAG _____

Dimensional Data (inches and [mm]) are Subject to Manufacturing Tolerances and Change Without Notice



A Pipe Size In.	Approx. Wt. Lbs. [kg]	Dome Open Areas Sq. In. [cm ²]	
		Upper	Lower
2-3-4 [51-76-102]	26 [12]		
5-6 [127-152]	27 [12]		
8 [203]	28 [13]	12 [72]	103 [665]

ENGINEERING SPECIFICATION: ZURN Z100-284

15 [381] Diameter roof drain. Dura-Coated cast iron body with combination membrane flashing clamp/gravel guard, low silhouette secured dome with perforated stainless steel over dome screen assembly, 4 [102] no-hub standpipe (By Others), and Z181 upper drain assembly.

OPTIONS (Check/specify appropriate options)

PIPE SIZE

- 2-3-4-5-6-8 [51-76-102-127-152-203]
- 2-3-4-5-6-8 [51-76-102-127-152-203]
- 2-3-4-5-6-8 [51-76-102-127-152-203]
- 2-3-4 [51-76-102]
- 6 [152]

(Specify size/type) OUTLET

- _____ IC Inside Caulk
- _____ IP Threaded
- _____ NH No-Hub
- _____ NL Neo-Loc
- _____ NL Neo-Loc

E BODY HT. DIM.

- 5-1/4 [133]
- 3-3/4 [95]
- 5-1/4 [133]
- 4-9/16 [116]
- 5-7/16 [112]

PREFIXES

- _____ ZRB D.C.C.I. Body with Plain Bronze Dome*
- _____ ZB D.C.C.I. Body with Polished Bronze Dome
- _____ ZN D.C.C.I. Body with Polished Nickel Bronze Dome

SUFFIXES

- _____ -AC Angular Underdeck Clamp
- _____ -AR Acid Resistant Epoxy Coated
- _____ -C Underdeck Clamp
- _____ -DE Deck Extension
- _____ -DP Top-Set® Deck Plate (Replaces both the -C and -R)
- _____ -DR Top-Set® Drain Riser
- _____ -DX Dex-O-Tex Flange (Lower Body)
- _____ -E Static Extension 1 [25] thru 4 [102] (Specify Ht.)
- _____ -EB Top-Set® Adjustable Extension Assembly
- _____ -G Galvanized Cast Iron
- _____ -GD Galvanized Cast Iron Dome (Lower Dome)
- _____ -HD 5-3/4 [146] High Dome
- _____ -R Roof Sump Receiver
- _____ -TC Neo-Loc Test Cap Gasket (2 - 4 [51 - 102] NL Bottom Outlet Only)
- _____ -VP Vandal-Proof Secured Top
- _____ -90 90° Threaded Side Outlet Body (2 thru 6 [51 or 152])

* Regularly furnished unless otherwise specified.