



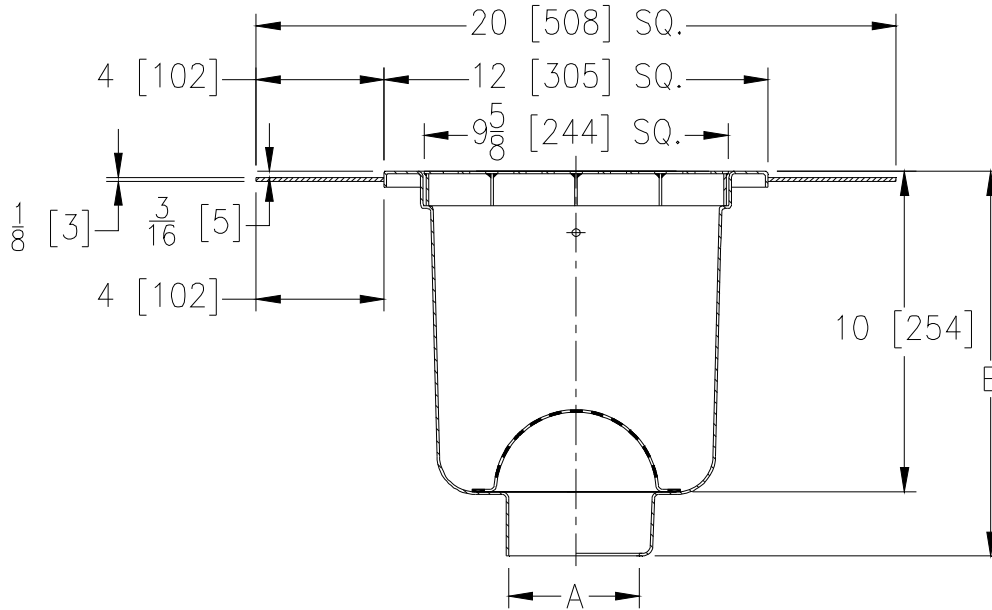
# Z1752-DX

12 X 12 [305 X 305] SANI-FLOR RECEPTOR  
10 [254] SUMP DEPTH & DEX-O-TEX FLANGE

SPECIFICATION SHEET

TAG \_\_\_\_\_

Dimensional Data (inches and [ mm ]) are Subject to Manufacturing Tolerances and Change Without Notice



A Pipe Size In. [mm]	Approx. Wt. Lbs. [kg]	Grate Open Area Sq. In. [cm <sup>2</sup> ]
2,3,4 [51,76,102]	22 [10]	23 [148]
6 [152]	23 [10]	23 [148]

### ENGINEERING SPECIFICATION: ZURN Z1752-DX

12" x 12" x 10" [305mm x 305mm x 254mm] Deep, 16 gage, all Type 304 (CF8) stainless steel light duty Sani-Flor receptor with Dex-O-Tex flange, non-tilt loose set full grate with 1/2" [13mm] square openings and anti-splash interior dome strainer.

### OPTIONS (Check/specify appropriate options)

#### PIPE SIZE

2,3,4,6 [51,76,102, 152]

2,3,4 [51,76,102]

#### (Specify size/type) OUTLET

\_\_\_ NH No-Hub

\_\_\_ NL Neo-Loc

#### 'E' BODY HT. DIM.

8-1/16 [205]

7-13/16 [198]

#### PREFIXES

\_\_\_Z Type 304 (CF8) Stainless Steel Body\*

\_\_\_ZM Type 316 (CF8M) Stainless Steel

#### SUFFIXES

\_\_\_-HD Extra Heavy-Duty Grate

\_\_\_-HP Heel-Proof Grate

\_\_\_-K Anchor Flange w/ Seepage Holes

\_\_\_-KC Anchor Flange w/ Seepage Holes and Clamp Collar

\_\_\_-P 1/2 [13] Trap Primer Connection

\_\_\_-SG Solid Gasketed Cover

\_\_\_-TC Neo-Loc Test Cap Gasket (2,3,4 [51,76,102] NL Bottom Outlet Only)

\_\_\_-VP Vandal-Proof Secured Top

\_\_\_-Y Sediment Bucket

\_\_\_-1 (Less) Grate

\_\_\_-2 1/2 Grate

\_\_\_-3 3/4 Grate

- \_\_\_-4 Full Grate w/ 3 [76] Square Opening
- \_\_\_-5 Grate w/ 4 [102] Dia. x 3-3/4 [95] High Type 304 Stainless Steel Funnel
- \_\_\_-8 Grate w/ 8-3/8 x 3-5/8 x 3-3/4 [213 x 92 x 95] High Type 304 Stainless Steel Oval Funnel
- \_\_\_-15 Solid Cover
- \_\_\_-16 1/2 Solid Cover
- \_\_\_-19 Full Hinged Grate
- \_\_\_-20 Full Hinged Solid Cover

\* Regularly furnished unless otherwise specified.