



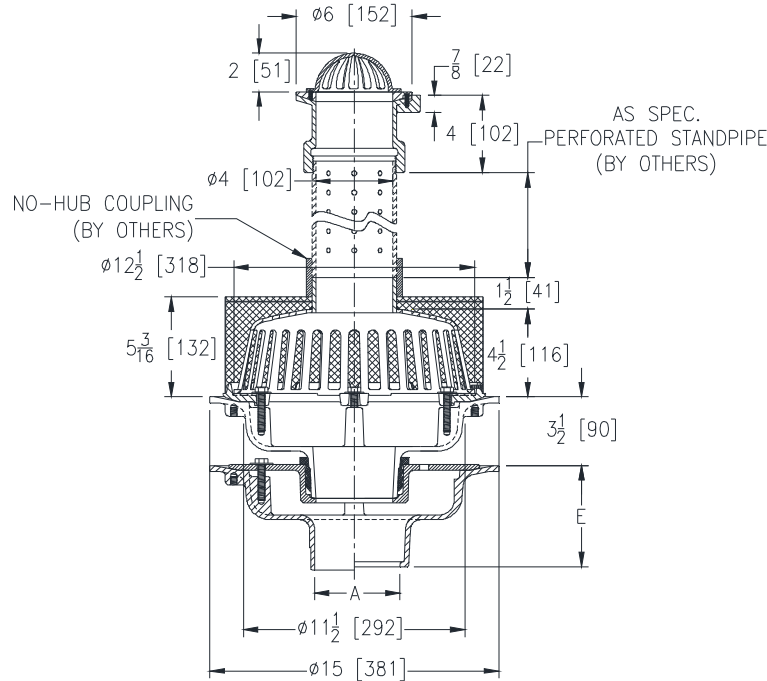
# Z100-319

15 [381] DIAMETER ISOLATION DRAIN W/ SECURED DOME WITH 4 [102] NO-HUB STANDPIPE, STAINLESS STEEL MESH OVER DOME, AND Z181 UPPER DRAIN

SPECIFICATION SHEET

TAG \_\_\_\_\_

Dimensional Data (inches and [ mm ]) are Subject to Manufacturing Tolerances and Change Without Notice



A-Pipe Size In. [mm]	Approx. Wt. Lbs. [kg]	Dome Open Areas Sq. In. [cm <sup>2</sup> ]	
		Upper	Lower
2,3,4 [51,76,102]	26 [12]		
5,6 [127,152]	27 [12]	12 [77]	103 [665]
8 [203]	28 [13]		

### ENGINEERING SPECIFICATION: ZURN Z100-319

15" [381 mm] Diameter roof drain. Dura-Coated cast iron body with combination membrane flashing clamp/gravel guard, low silhouette secured dome with stainless steel mesh liner, 4" [102mm] no-hub standpipe (By Others), and Z181 upper drain assembly.

### OPTIONS (Check/specify appropriate options)

#### PIPE SIZE

- 2,3,4,5,6,8 [51,76,102,127,152,203]
- 2,3,4,5,6,8 [51,76,102,127,152,203]
- 2,3,4,5,6,8 [51,76,102,127,152,203]
- 2,3,4 [51,76,102]
- 6 [152]

#### (Specify size/type) OUTLET

- \_\_\_\_\_ IC Inside Caulk
- \_\_\_\_\_ IP Threaded
- \_\_\_\_\_ NH No-Hub
- \_\_\_\_\_ NL Neo-Loc
- \_\_\_\_\_ NL Neo-Loc

#### E BODY HT. DIM.

- 5-1/4 [133]
- 3-3/4 [95]
- 5-1/4 [133]
- 4-9/16 [116]
- 5-7/16 [138]

#### PREFIXES

- \_\_\_\_\_ ZRB D.C.C.I. Body with Plain Bronze Dome\*
- \_\_\_\_\_ ZB D.C.C.I. Body with Polished Bronze Dome
- \_\_\_\_\_ ZN D.C.C.I. Body with Polished Nickel Bronze Dome

#### SUFFIXES

- \_\_\_\_\_ -AC Angular Underdeck Clamp
- \_\_\_\_\_ -AR Acid Resistant Epoxy Coated
- \_\_\_\_\_ -C Underdeck Clamp
- \_\_\_\_\_ -DE Deck Extension
- \_\_\_\_\_ -DP Top-Set® Deck Plate (Replaces both the -C and -R)
- \_\_\_\_\_ -DR Top-Set® Drain Riser
- \_\_\_\_\_ -DX Dex-O-Tex Flange (Lower Body)
- \_\_\_\_\_ -E Static Extension 1,2,3,4 [25,51,76,102] (Specify Ht.)
- \_\_\_\_\_ -EB Top-Set® Adjustable Extension Assembly
- \_\_\_\_\_ -G Galvanized Cast Iron
- \_\_\_\_\_ -GD Galvanized Cast Iron Dome (Lower Dome)
- \_\_\_\_\_ -HD 5-3/4 [146] High Dome
- \_\_\_\_\_ -R Roof Sump Receiver
- \_\_\_\_\_ -TC Neo-Loc Test Cap Gasket (2,3,4 [51,76,102] NL Bottom Outlet Only)
- \_\_\_\_\_ -VP Vandal-Proof Secured Top
- \_\_\_\_\_ -90 90° Threaded Side Outlet Body (2,3,4,5,6 [51,76,102,127,152])

\* Regularly furnished unless otherwise specified.