



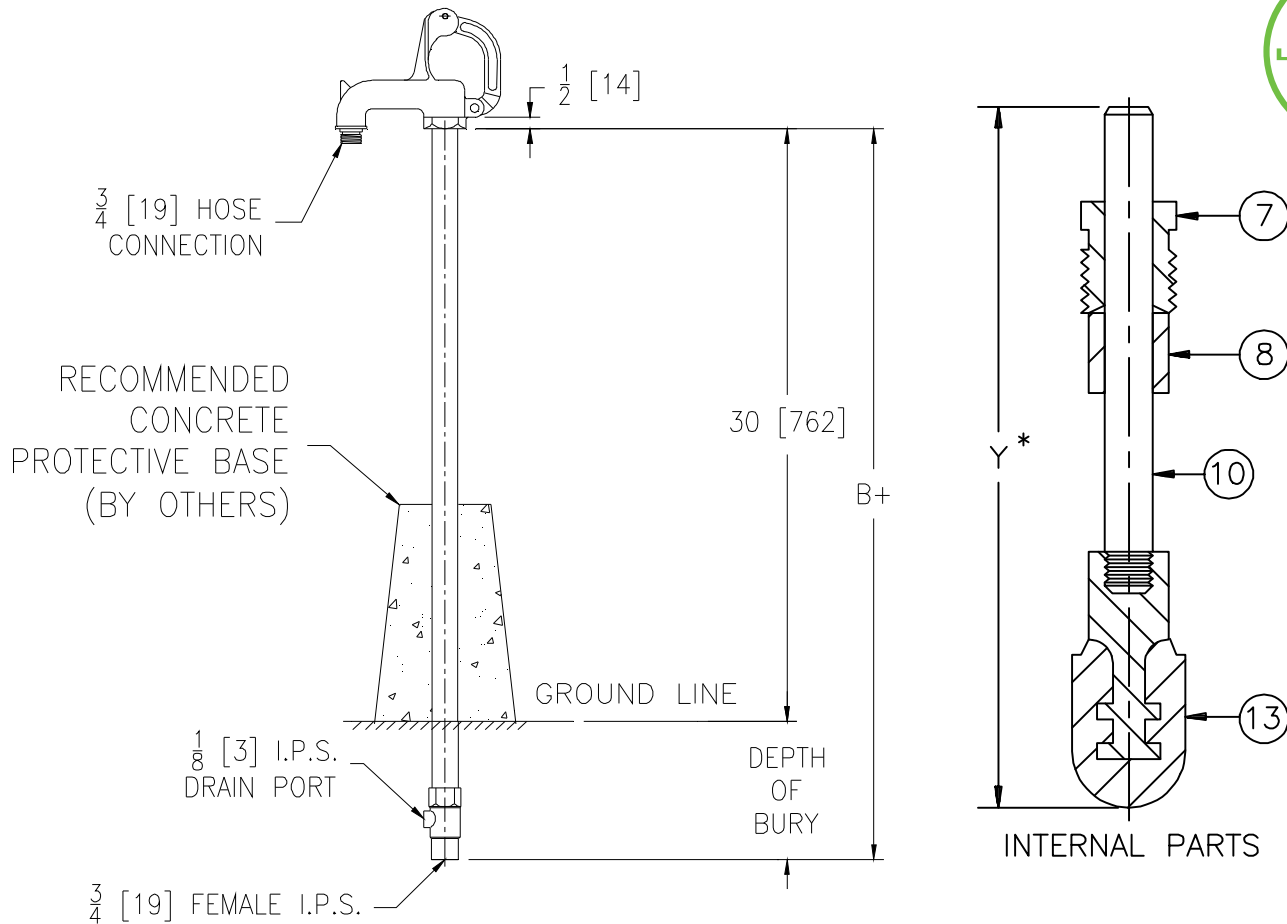
Z1395XL-75

1' [305] BURY YARD HYDRANT EXPOSED HEAD, NON-FREEZE

SPECIFICATION SHEET

TAG _____

Dimensional Data (inches and [mm]) are Subject to Manufacturing Tolerances and Change Without Notice



Depth of Bury Feet [mm]	B+ Dim. Feet [mm]	Approx. Wt. Lbs. [kg]
1 [305]	3-1/2 [1067]	12 [5]

ENGINEERING SPECIFICATION: ZURN Z1395XL-75

Exposed, lead-free, non-freeze yard hydrant. Hydrant features a Dura-Coated cast iron head and lift handle with lock option, galvanized steel casing, bronze and stainless steel interior components, 3/4" [19] inlet connection with 1/8" [3] tapped drainage port on housing, and 3/4" [19] male hose connection.

Zurn "XL" Lead-Free compliant products are a line of durable plumbing products designed and manufactured to comply with state laws and local codes that mandate maximum allowable lead content levels. Zurn "XL" products are manufactured in accordance to the Federal SWDA section 1417.

OPTIONS (Check/specify appropriate options)

SUFFIXES

- ____ -AC Aluminum Casing Guard
- ____ -RK Hydrant Parts Repair Kit (HYD-RK-Z1395XL)
- ____ -VB 3/4 [19] Adapter Vacuum Breaker**

PARTS LIST

Item	Name	Quan.
7	Operating Coupling	1
8	Packing	1
10	Operating Rod	1
13	Plunger	1

* Regularly furnished unless otherwise specified.