



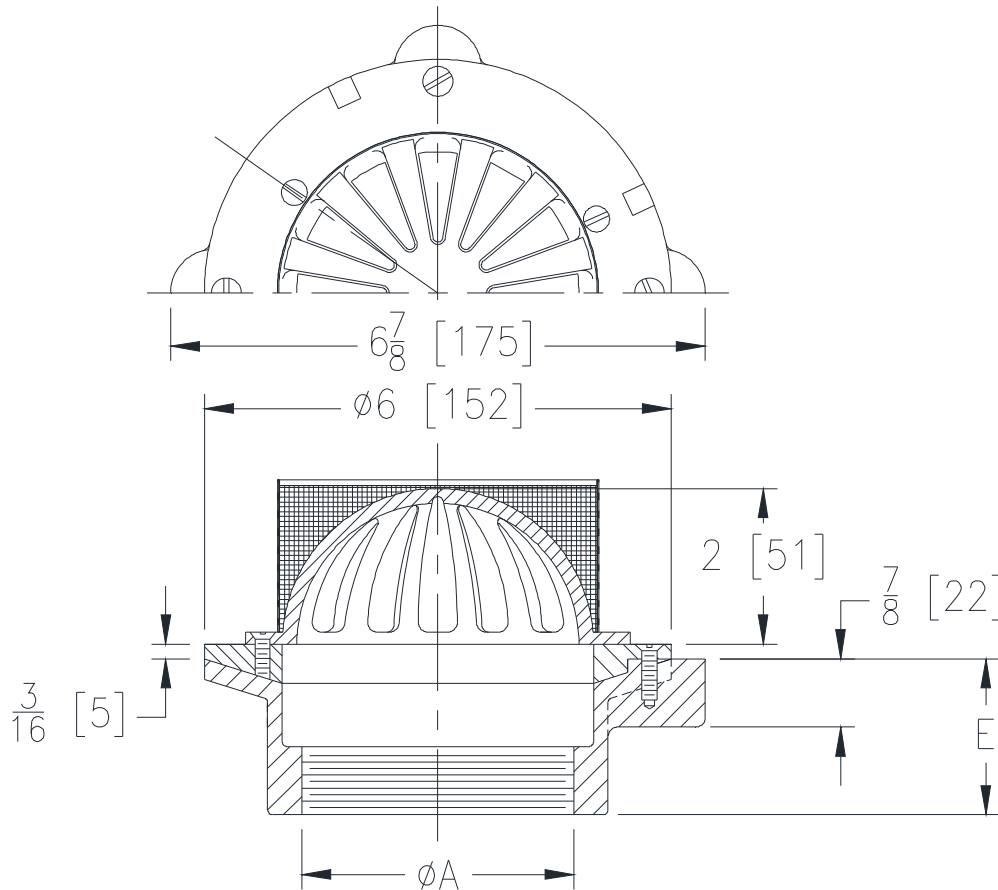
Z181-SS

6 [152] DIAMETER CORNICE DRAIN, BOTTOM OUTLET
W/ STAINLESS STEEL MESH SCREEN OVER DOME

SPECIFICATION SHEET

TAG _____

Dimensional Data (inches and [mm]) are Subject to Manufacturing Tolerances and Change Without Notice



A Pipe Size In. [mm]	Approx. Wt. Lbs. [kg]	Dome Open Area Sq. In. [cm ²]
3 [76]	6 [3]	11 [71]
4 [102]	7 [4]	

ENGINEERING SPECIFICATION: ZURN ZRB181-SS
6" [152mm] Diameter x 2" [51mm] high cornice drain, Dura-Coated cast iron body, plain bronze dome, stainless steel mesh screen and membrane flashing clamp.

OPTIONS (Check/specify appropriate options)

PIPE SIZE

3, 4 [76, 102]
3, 4 [76, 102]

(Specify size/type) **OUTLET**

_____ IP Threaded
_____ NH No-Hub (IP w/ Z1040)

'E' BODY HT. DIM.

2 [51]
4-1/2 [114]

PREFIXES

___ ZRB D.C.C.I. Body with Plain Bronze Dome*
___ ZN D.C.C.I. Body with Polished Nickel Bronze Dome

SUFFIXES

___ -C Underdeck Clamp
___ -G Galvanized Cast Iron
___ -HD 5-3/4 [146] High Dome
___ -R Roof Sump Receiver
___ -VP Vandal-Proof Secured Top

* Regularly furnished unless otherwise specified.