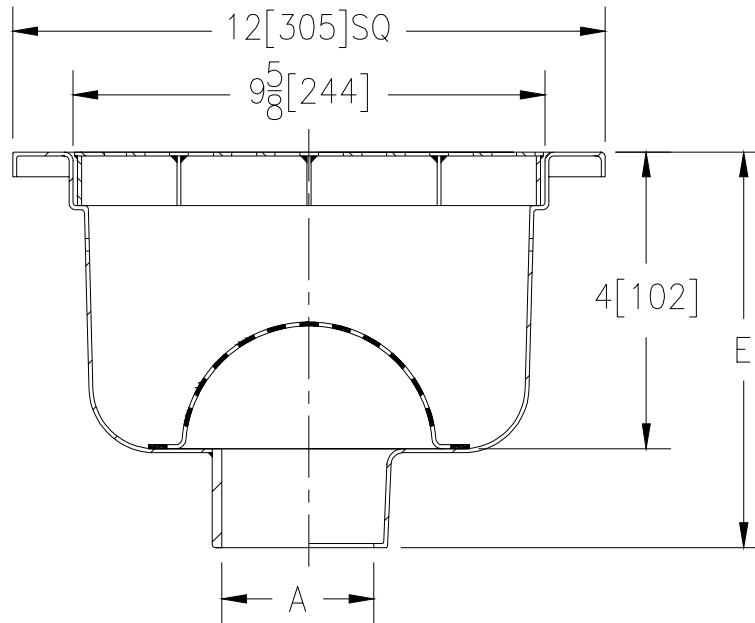




Z-1750-101
12 X 12 [305 x 305] SANI-FLOR RECEPTOR
4 [102] SUMP DEPTH

TAG _____

Dimensional Data (inches and [mm]) are Subject to Manufacturing Tolerances and Change Without Notice



A- Pipe Size In.	Approx. Wt. Lbs. [kg]	Grate Open Area Sq. In. [cm ²]
2-3-4 [50-75-100]	15 [7]	23 [148]

ENGINEERING SPECIFICATION: ZURN Z-1750-101
 12 x 12 x 4 [305 x 305 x 102] deep, 14 gage, All Type 304 (CF8) Stainless Steel light duty Sani-Flor receptor with non-tilt, loose set full grate with 1/2 [13] square openings and anti-splash interior dome strainer.

OPTIONS (Check/specify appropriate options)

PIPE SIZE

- 2 thru 4 [50 thru 100]
- 2 [50]
- 3 [75]
- 4 [100]
- 2 thru 4 [50 thru 100]
- 2 thru 4 [50 thru 100]

(Specify size/type) **OUTLET**

- ___ IC Inside Caulk
- ___ IP Threaded
- ___ IP Threaded
- ___ IP Threaded
- ___ NH No-Hub
- ___ NL Neo-Loc

'E' BODY HT. DIM.

- 6 9/16 [167]
- 5 5/16 [134]
- 5 9/16 [141]
- 6 1/16 [154]
- 6 1/16 [154]
- 5 13/16 [148]

PREFIXES

- ___ Z- Type 304 (CF8) Stainless Steel Body*
- ___ ZM- Type 316 (CF8M) Stainless Steel

SUFFIXES

- | | | | |
|---------|------------------------------------|---------|--|
| ___ -DX | Dexotex Flange | ___ -4 | Full Grate With 3 [76] Square Opening |
| ___ -HD | Extra Heavy Duty Top Frame & Grate | ___ -5 | Grate w/4 [102] dia. x 3 3/4 [95] High Funnel |
| ___ -HP | Heelproof Grate | ___ -8 | Grate w/8 3/8 x 3 5/8 x 3 3/4 [213 x 92 x 95] High Oval Funnel |
| ___ -IP | Female Threaded Outlet | ___ -15 | Solid Cover |
| ___ -K | Seepage Pan | ___ -16 | 1/2 Solid Cover |
| ___ -KC | Seepage Pan With Clamp Collar | ___ -17 | 3/4 Solid Cover |
| ___ -P | 1/2 Trap Primer Connection | ___ -18 | Solid Cover With 3 [76] Square Center Opening |
| ___ -Y | Sediment Bucket | | |
| ___ -YS | Suspended Sediment Bucket | | |
| ___ -1 | (Less) Grate | | |
| ___ -2 | 1/2 Grate | | |
| ___ -3 | 3/4 Grate | | |

*REGULARLY FURNISHED UNLESS OTHERWISE SPECIFIED

REV.	DATE: 10/23/96	C.N. NO. 76322
DWG. NO. P-14412 PRODUCT NO. Z-1750-101		