

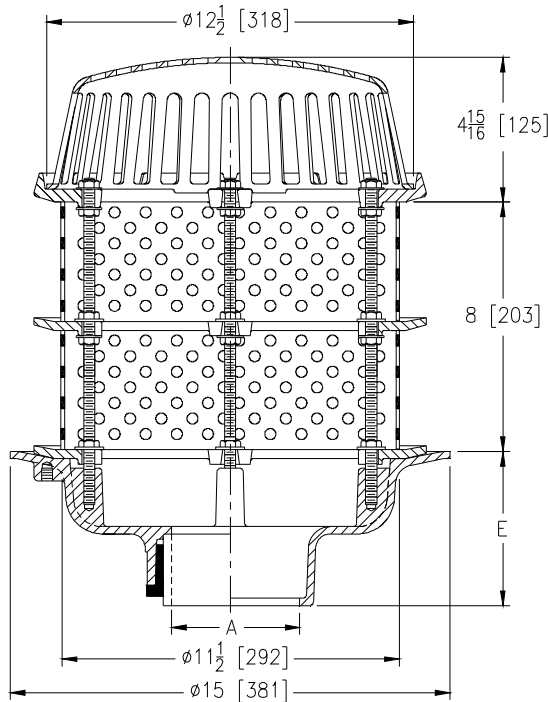


Z100-220

15 [381] DIAMETER MAIN ROOF DRAIN W/ STAINLESS STEEL PERFORATED EXTENSIONS

TAG _____

Dimensional Data (inches and [mm]) are Subject to Manufacturing Tolerances and Change Without Notice



A Pipe Size In.	Approx. Wt. Lbs. [kg]	Dome Open Area Sq. In. [cm ²]
2-3-4 [51-76-102]	28 [13]	103 [665]
5-6 [127-153]	29 [13]	
8 [203]	30 [14]	

ENGINEERING SPECIFICATION: ZURN Z100-220

15 [381] Diameter roof drain. Dura-Coated cast iron body with combination membrane flashing clamp/gravel guard, perforated extensions and low silhouette Poly-Dome strainer.

OPTIONS (Check/specify appropriate options)

PIPE SIZE

- 2 thru 6, 8 [51 thru 153, 203]
- 2 thru 6, 8 [51 thru 153, 203]
- 2 thru 6, 8 [51 thru 153, 203]
- 2,3,4 [52, 76, 102]

(Specify size/type) OUTLET

- _____ IC Inside Caulk
- _____ IP Threaded
- _____ NH No-Hub
- _____ NL Neo-Loc

E BODY HT. DIM.

- 5 1/4 [133]
- 3 3/4 [95]
- 5 1/4 [133]
- 4 5/8 [117]

PREFIXES

- _____ Z D.C.C.I. Body with Poly-Dome*
- _____ ZA D.C.C.I. Body with Aluminum Dome
- _____ ZC D.C.C.I. Body with Cast Iron Dome
- _____ ZRB D.C.C.I. Body with Plain Bronze Dome

SUFFIXES

- | | |
|--|--|
| _____ -AC Angular Underdeck Clamp | _____ -HD 6 3/4 [171] High Aluminum Dome Strainer (148 Sq. In. [955 cm ²] Open Area) (ZA Only) |
| _____ -AR Acid Resistant Epoxy Coated | _____ -R Roof Sump Receiver |
| _____ -BS Bronze Mesh Screen Over Dome | _____ -SS Stainless Steel Mesh Screen Over Dome |
| _____ -C Underdeck Clamp | _____ -ST Dome with Solid Top (ZA, ZC & ZRB Only) |
| _____ -DE Deck Extension | _____ -TC Neo-Loc Test Cap Gasket (2 - 4 [51 - 102] NL Bottom Outlet Only) |
| _____ -DP Top-Set® Deck Plate (Replaces both the -C and -R) | _____ -VP Vandal-Proof Secured Top |
| _____ -DR Top-Set® Drain Riser | _____ -84 Stainless Steel Perforated Gravel Guard |
| _____ -E Static Extension 1 [25] thru 4 [102] (Specify Ht.) | _____ -90 90° Threaded Side Outlet Body (2 thru 6 [51 or 152]) |
| _____ -EA Adjustable Extension Assembly 2 1/8 [54] thru 3 1/2 [89] | |
| _____ -EB Top-Set® Adjustable Extension Assembly | |
| _____ -FG Flush Grate (Replaces Dome Strainer) | |
| _____ -G Galvanized Cast Iron | |
| _____ -GD Galvanized Cast Iron Dome (ZC Only) | |

*REGULARLY FURNISHED UNLESS OTHERWISE SPECIFIED

REV.	DATE: 1/11/10	C.N. NO. 110586
DWG. NO. P-15829 PRODUCT NO. Z100-220		