



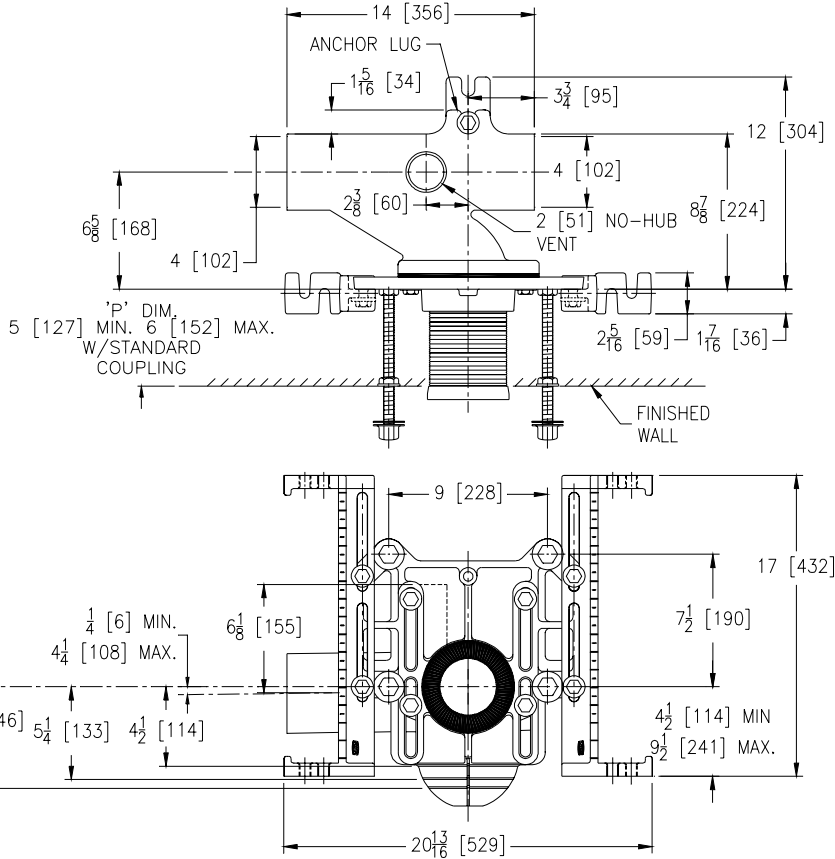
Z-1203-97

SPECIFICATION SHEET

ADJUSTABLE HORIZONTAL SIPHON JET NO-HUB W/ UNI-STRUT FOOT FOR PRE-FAB INSTALLATIONS

TAG _____

Dimensional Data (inches and [mm]) are Subject to Manufacturing Tolerances and Change Without Notice



Product Number	Approx. Wt. Lbs. [kg]
Z-1203-NL4	67 [30]
Z-1203-NR4	

Note:

1. Min. 'P' Dim. Obtainable=2 [51]
2. Feet bolted to floor using min. 1/2 [13] dia. bolts and back slots on carrier feet.
3. Back anchor foot required for secure installation.

ENGINEERING SPECIFICATION: ZURN Z-1203-97 Adjustable, horizontal siphon jet water closet "Rigid System" with 4 [102] No-Hub connections. Complete with Dura-Coated cast iron right hand, left hand, or double main fitting, with 2 [51] vent, adjustable gasketed faceplate, universal floor mounted foot supports, corrosion resistant adjustable ABS coupling with integral test cap, fixture bolts, trim, and stud protectors. Rear anchor tie down and bonded "Neo-Seal" gasket.

OPTIONS (Check/specify appropriate options)

- Z-1203-NR4 4 [102] No-Hub Right Hand Inlet with Flow to Left
 Z-1203-NL4 4 [102] No-Hub Left Hand Inlet with Flow to Right

PREFIXES

- ____ Z- D.C.C.I. System with Zurn "ZZ" Adjustable Coupling*
 ____ ZQ- D.C.C.I. System with NPT Faceplate, Non-Adjustable Coupling

SUFFIXES

- | | | | |
|----------|---|----------|---|
| ____ -A | Auxiliary Support Assembly (For 'P' Dim. Greater than 18 [457]) | ____ -W | Adapter Assembly for Womens Urinal |
| ____ -B | Blowout Type Fixture Support | ____ -XH | Extra-Heavy-Duty 500-Lb. [227 kg.] Carrier |
| ____ -BC | Back Cleanout | ____ -X3 | 3" [76] Foot Extension Assembly |
| ____ -CC | Corrosion Resistant Cast Iron Coupling (6[152] to 12[305]) | ____ -X4 | 4" [102] Foot Extension Assembly |
| ____ -CL | Coupling Length Greater Than 12 [305] (Specified Length Required) | ____ -29 | Mechanical Test Cap Assembly |
| ____ -F | Floor Mounted, Back Outlet Fixture Support | ____ -45 | Finishing Frame for Siphon Jet System (for Blow Out System specify -45-B) |
| ____ -G | Galvanized Cast Iron | ____ -50 | Flush Valve Supply Support for Water Closets |
| ____ -M | Auxiliary Foot Support (for 'P' Dim. 10 [254]-18 [457]) | ____ -61 | "ZZ" Coupling Wrench |
| ____ -T | Threaded Connection | | |
| ____ -VP | Vandal Proof Trim | | |

*REGULARLY FURNISHED UNLESS OTHERWISE SPECIFIED

REV. DATE: 1/17/00 C.N. NO. 84273

DWG. NO. P-14765 PRODUCT NO. Z-1203-97

ZURN INDUSTRIES, INC. ♦ SPECIFICATION DRAINAGE OPERATION ♦ 1801 Pittsburgh Ave. ♦ Erie, PA 16514

Phone: 814455-0921 ♦ Fax: 814454-7929 ♦ World Wide Web: www.zurn.com

In Canada: ZURN INDUSTRIES LIMITED ♦ 3544 Nashua Drive ♦ Mississauga, Ontario L4V1L2 ♦ Phone: 905405-8272 Fax: 905405-1292