

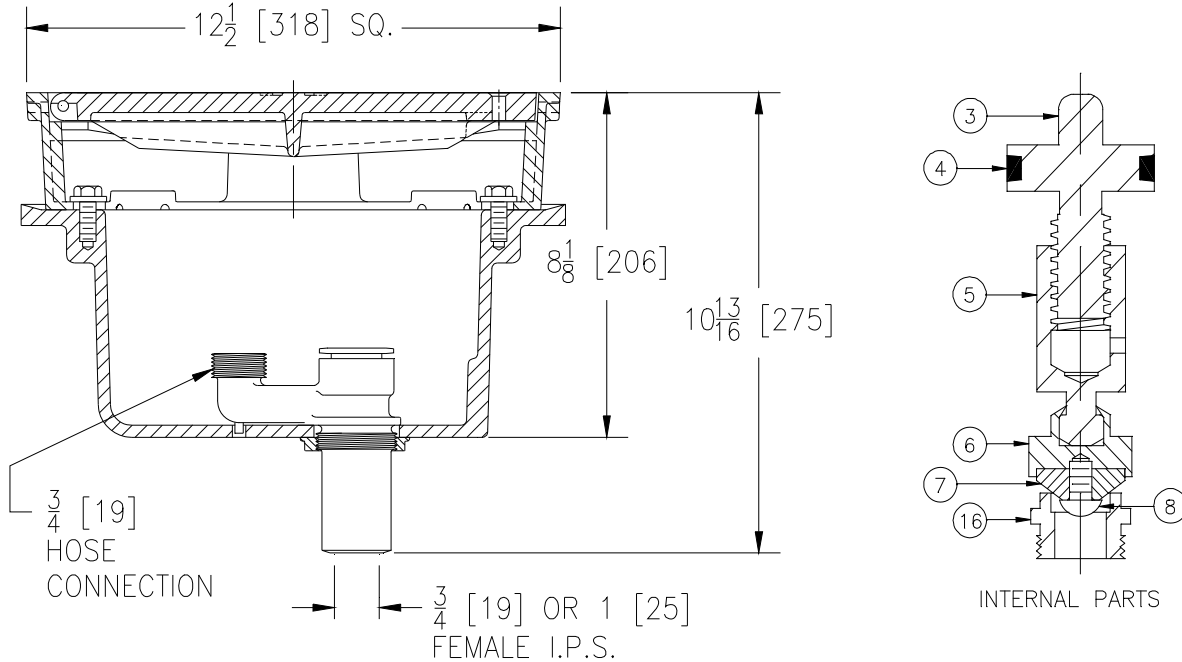


**Z1370-77**  
**GROUND HYDRANT**  
**Encased, Hose Storage, Moderate Climate**

SPECIFICATION SHEET

TAG \_\_\_\_\_

Dimensional Data (inches and [ mm ]) are Subject to Manufacturing Tolerances and Change Without Notice



Approx. Wt. Lbs. [kg]
70 [32]

**ENGINEERING SPECIFICATION: ZURN Z1370-77**

Encased, moderate climate ground hydrant, for flush with grade or finished floor installation. Complete with all bronze interior parts, replaceable bronze seat and seat washer, and non-turning operating coupling with free-floating compression closure valve. Cast iron box provides hose storage and is complete with scoriated hinged cover with operating key lock. (Hose should always be disconnected for storage.)

**OPTIONS** (Check/specify appropriate options)

**SUFFIXES**

- \_\_\_ -DP12 1/2 [13] IP Drain Port in Box
- \_\_\_ -DP14 1/4 [6] IP Drain Port in Box
- \_\_\_ -DP38 3/8 [10] IP Drain Port in Box
- \_\_\_ -NB Polished Nickel Bronze Face
- \_\_\_ -PB Polished Bronze Face
- \_\_\_ -RB Plain Bronze Face
- \_\_\_ -RK Hydrant Parts Repair Kit
- \_\_\_ -WR "WATER" Cast on Cover

**PARTS LIST**

Item	Name	Quan.
3	Operating Screw	1
4	O-Ring	1
5	Operating Coupling	1
6	Washer Guide	1
7	Washer (neoprene)	1
8	Screw	1
16	Removable Seat	1

REV. A	DATE: 05/05/08	C.N. NO. 98449
DWG. NO. P-14788	PRODUCT NO. Z1370-77	

\*WHEN ORDERING REPLACEMENT PARTS SPECIFY Y DIM.